

## **Lathe Kit**

Spherosyn Single End Cross Slide / Spherosyn Bed Axis

---

**600-61310**

Drawings  
316-22170  
316-21950

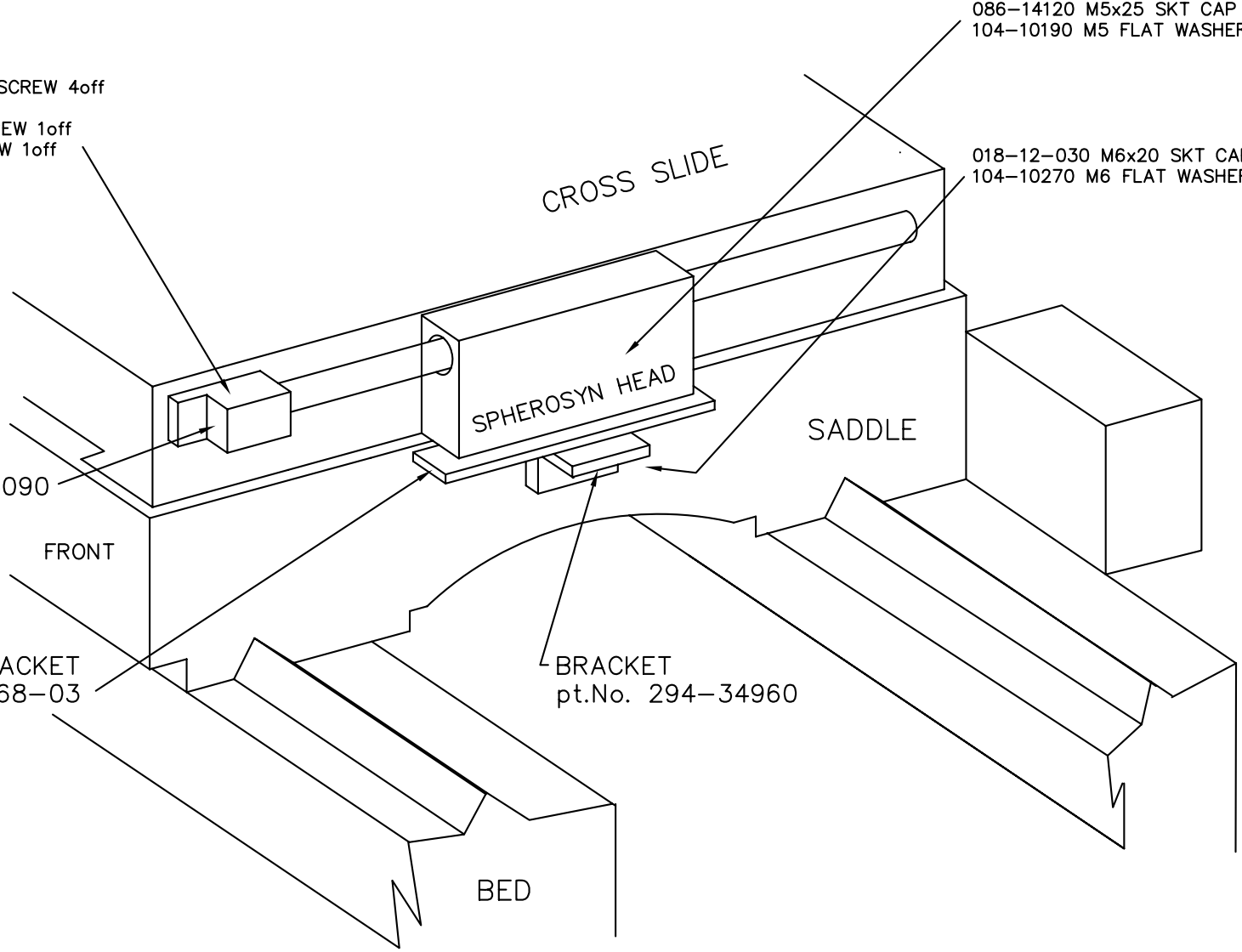
DRAWING NUMBER 316-22170 REV. ISS. 0

DO NOT SCALE -  THIRD ANGLE PROJECTION IF IN DOUBT ASK

086-14130 M5x16 SKT HD GRUB SCREW 4off  
 104-10270 M6 FLAT WASHER 1off  
 018-12-030 M6x20 SKT CAP SCREW 1off  
 086-10890 M5x10 SKT CAP SCREW 1off  
 104-10190 M5 FLAT WASHER 1off

086-14120 M5x25 SKT CAP SCREW 2off  
 104-10190 M5 FLAT WASHER 2off

018-12-030 M6x20 SKT CAP SCREW 4off  
 104-10270 M6 FLAT WASHER 4off



SINGLE END MOUNTING BRACKET pt.No.294-23090

FRONT

MOUNTING BRACKET pt.No. ED2768-03

BED

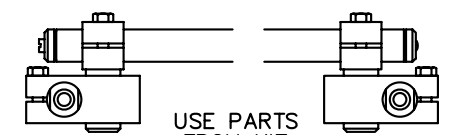
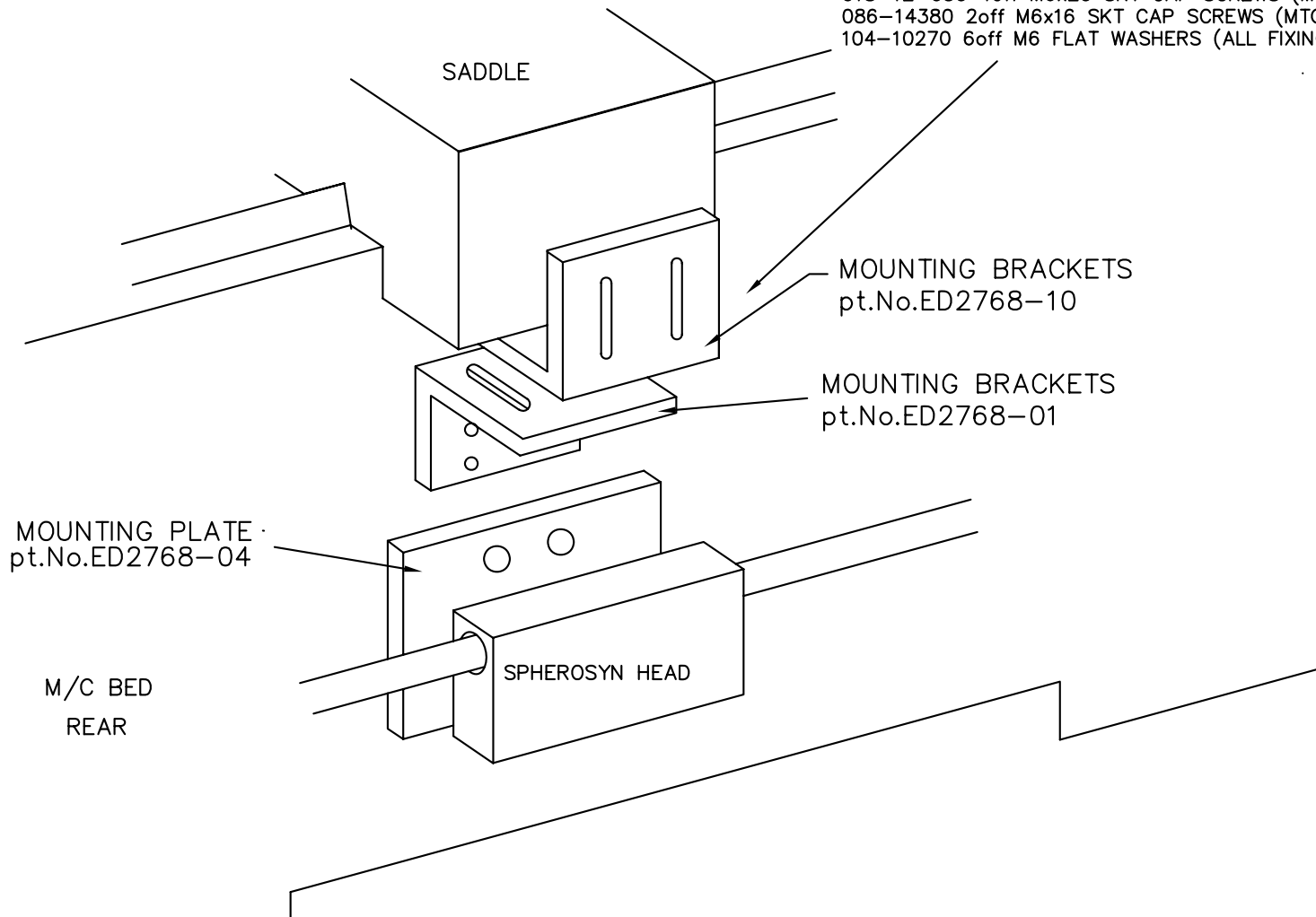
BRACKET pt.No. 294-34960

DISK 18

REV. ISS. DATE C.N. No ALTERATION		DRAWN J.DRIVER 17-7-95		MATERIAL/FINISH.		SCALE		UNLESS OTHERWISE STATED: - TOLERANCES: - 0 DECIMAL PLACES ±0.5		REV. ISS. 0	
		CHECKED						1 DECIMAL PLACE ±0.2		DRAWING NUMBER 316-22170	
		APPROVED		Leicester		SHEET OF		2 DECIMAL PLACES ±0.1 ANGULAR ±1°		ISS. 0	
				Leicester		THIS DRAWING IS THE PROPERTY OF NEWALL MEASUREMENT SYSTEMS LIMITED. THE INFORMATION THEREON MAY NOT BE COPIED OR USED WITHOUT WRITTEN PERMISSION					




- 086-14400 2off M5x30 SKT CAP SCREWS (HEAD FXG TO MTG PLATE)
- 018-12-030 4off M6x20 SKT CAP SCREWS (MTG BRKT TO M/C SADDLE & MTG BRKTS TOGETHER)
- 086-14380 2off M6x16 SKT CAP SCREWS (MTG BRKT TO MOUNTING PLATE)
- 104-10270 6off M6 FLAT WASHERS (ALL FIXINGS)



USE PARTS FROM KIT Pt.No.600-66810

SCALE END MTG. DETAILS

				TITLE. LATHE M/C BED AXIS ASSY. SPHEROSYN		MATERIAL/FINISH.		SCALE		UNLESS OTHERWISE STATED: - TOLERANCES: - 0 DECIMAL PLACES ±0.5 1 DECIMAL PLACE ±0.2 2 DECIMAL PLACES ±0.1 ANGULAR ±1'	
2	29-11-02	E8178	600-66810 was 600-42760	JFD					DIMENSIONS ARE IN M.M.		
1	18-3-98	E3036	ED-2768-01 1off NOW AND ADDED ED-2768-10	MM	DRAWN J.DRIVER	31/03/95	SHEET OF		DRAWING NUMBER	316-21950	REV. ISS. 2
REV.ISS.	DATE	C.N.	ALTERATION	CHECKED	APPROVED	Leicester  England		THIS DRAWING IS THE PROPERTY OF NEWALL MEASUREMENT SYSTEMS LIMITED. THE INFORMATION THEREON MAY NOT BE COPIED OR USED WITHOUT WRITTEN PERMISSION			