

Lathe Kit

Spherosyn Single End Cross Slide Rear / Spherosyn Bed Axis

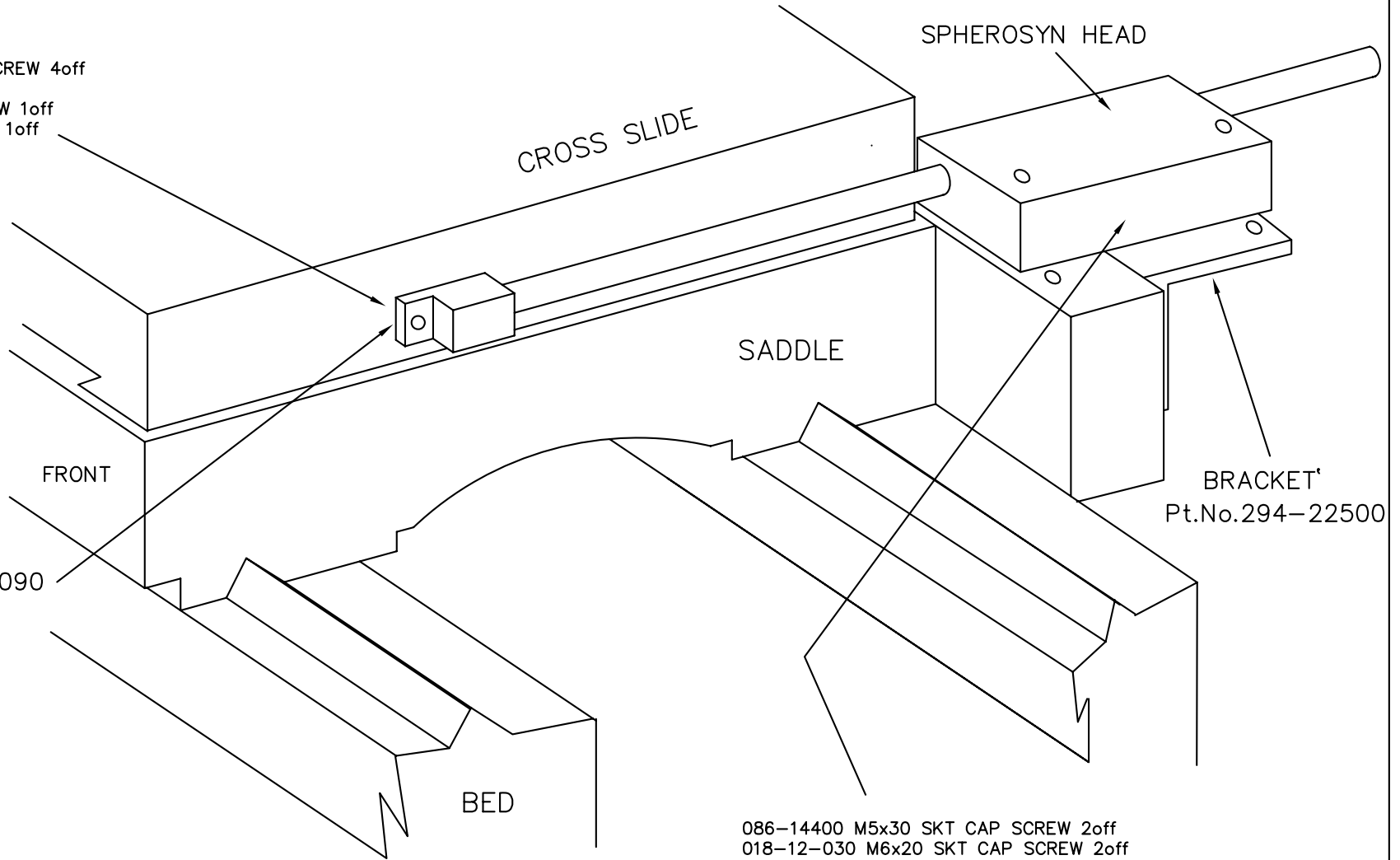
600-61330

Drawings
316-22190
316-21950

DRAWING NUMBER 316-22190 REV. ISS. 0


DO NOT SCALE -  THIRD ANGLE PROJECTION IF IN DOUBT ASK

086-14130 M5x16 SKT HD GRUB SCREW 4off
 104-10270 M6 FLAT WASHER 1off
 018-12-030 M6x20 SKT CAP SCREW 1off
 086-10890 M5x10 SKT CAP SCREW 1off
 104-10190 M5 FLAT WASHER 1off



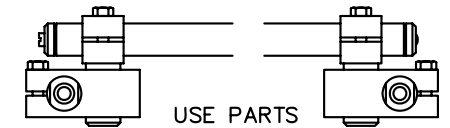
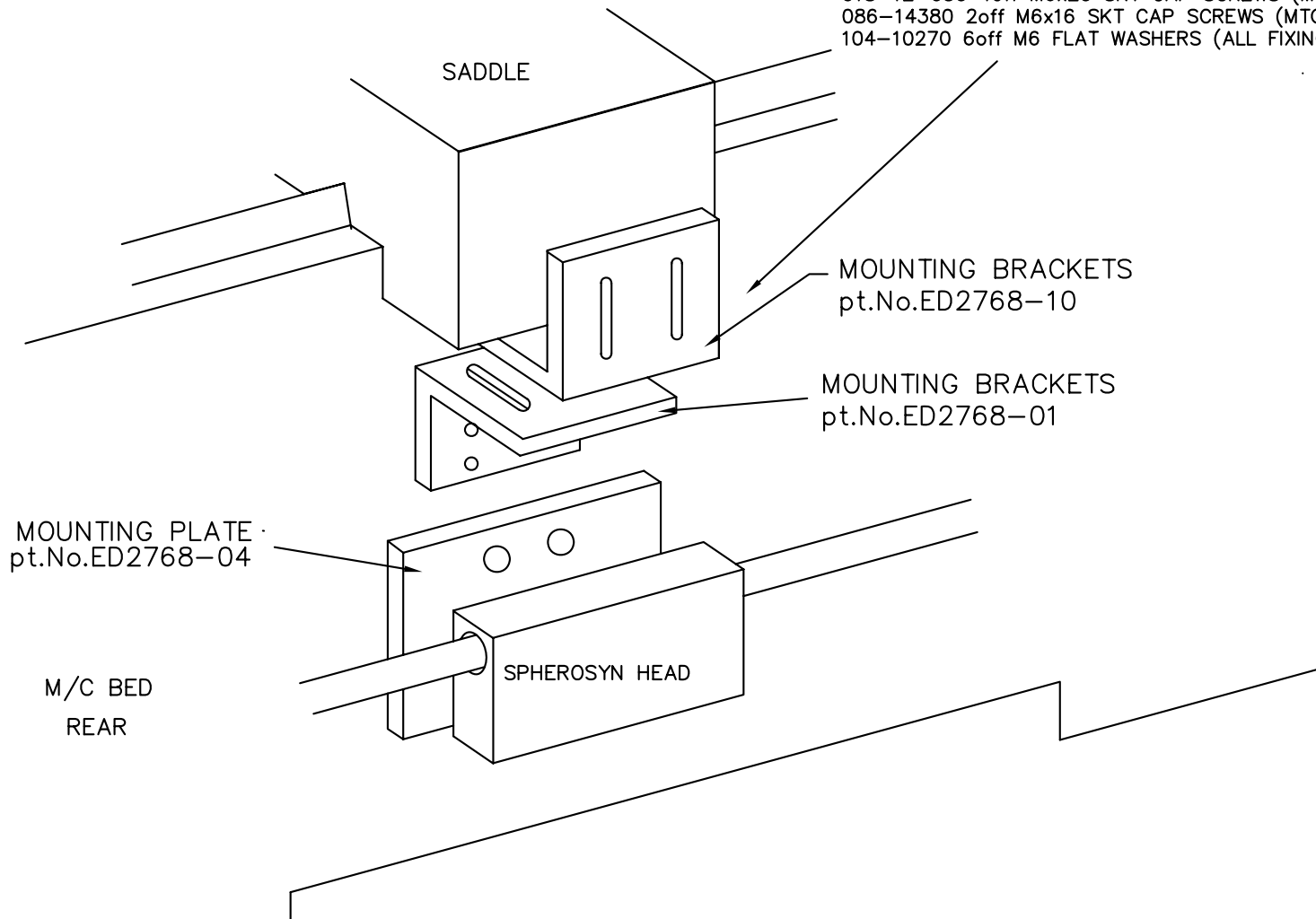
086-14400 M5x30 SKT CAP SCREW 2off
 018-12-030 M6x20 SKT CAP SCREW 2off
 104-10270 M6 FLAT WASHER 2off

DISK 18

		TITLE. LATHE M/C CROSS SLIDER AXIS ASSY. SPHEROSYN		MATERIAL/FINISH.		SCALE		UNLESS OTHERWISE STATED:- DIMENSIONS ARE IN M.M.		TOLERANCES:- 0 DECIMAL PLACES ±0.5 1 DECIMAL PLACE ±0.2 2 DECIMAL PLACES ±0.1 ANGULAR ±1'	
DRAWN J.DRIVER 17-7-95				Leicester England		SHEET OF		DRAWING NUMBER 316-22190		REV. ISS. 0	
REVISS. DATE C.N. NO. ALTERATION		CHECKED		APPROVED							


THIS DRAWING IS THE PROPERTY OF
 NEWALL MEASUREMENT SYSTEMS LIMITED.
 THE INFORMATION THEREON MAY NOT BE COPIED OR USED
 WITHOUT WRITTEN PERMISSION

- 086-14400 2off M5x30 SKT CAP SCREWS (HEAD FXG TO MTG PLATE)
- 018-12-030 4off M6x20 SKT CAP SCREWS (MTG BRKT TO M/C SADDLE & MTG BRKTS TOGETHER)
- 086-14380 2off M6x16 SKT CAP SCREWS (MTG BRKT TO MOUNTING PLATE)
- 104-10270 6off M6 FLAT WASHERS (ALL FIXINGS)



USE PARTS FROM KIT Pt.No.600-66810

SCALE END MTG. DETAILS

				TITLE. LATHE M/C BED AXIS ASSY. SPHEROSYN		MATERIAL/FINISH.		SCALE		UNLESS OTHERWISE STATED: - TOLERANCES: - 0 DECIMAL PLACES ±0.5 1 DECIMAL PLACE ±0.2 2 DECIMAL PLACES ±0.1 ANGULAR ±1'	
2	29-11-02	E8178	600-66810 was 600-42760	JFD					DIMENSIONS ARE IN M.M.		
1	18-3-98	E3036	ED-2768-01 1off NOW AND ADDED ED-2768-10	MM	DRAWN J.DRIVER	31/03/95	SHEET		DRAWING NUMBER 316-21950		REV. ISS. 2
REV.ISS.	DATE	C.N.	ALTERATION	CHECKED	APPROVED	Leicester  England		OF		THIS DRAWING IS THE PROPERTY OF NEWALL MEASUREMENT SYSTEMS LIMITED. THE INFORMATION THEREON MAY NOT BE COPIED OR USED WITHOUT WRITTEN PERMISSION	