

## Lathe Kit

Spherosyn Cross Slide / Spherosyn Bed Axis

---

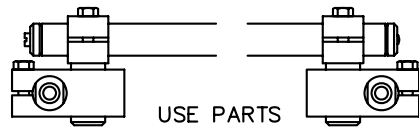
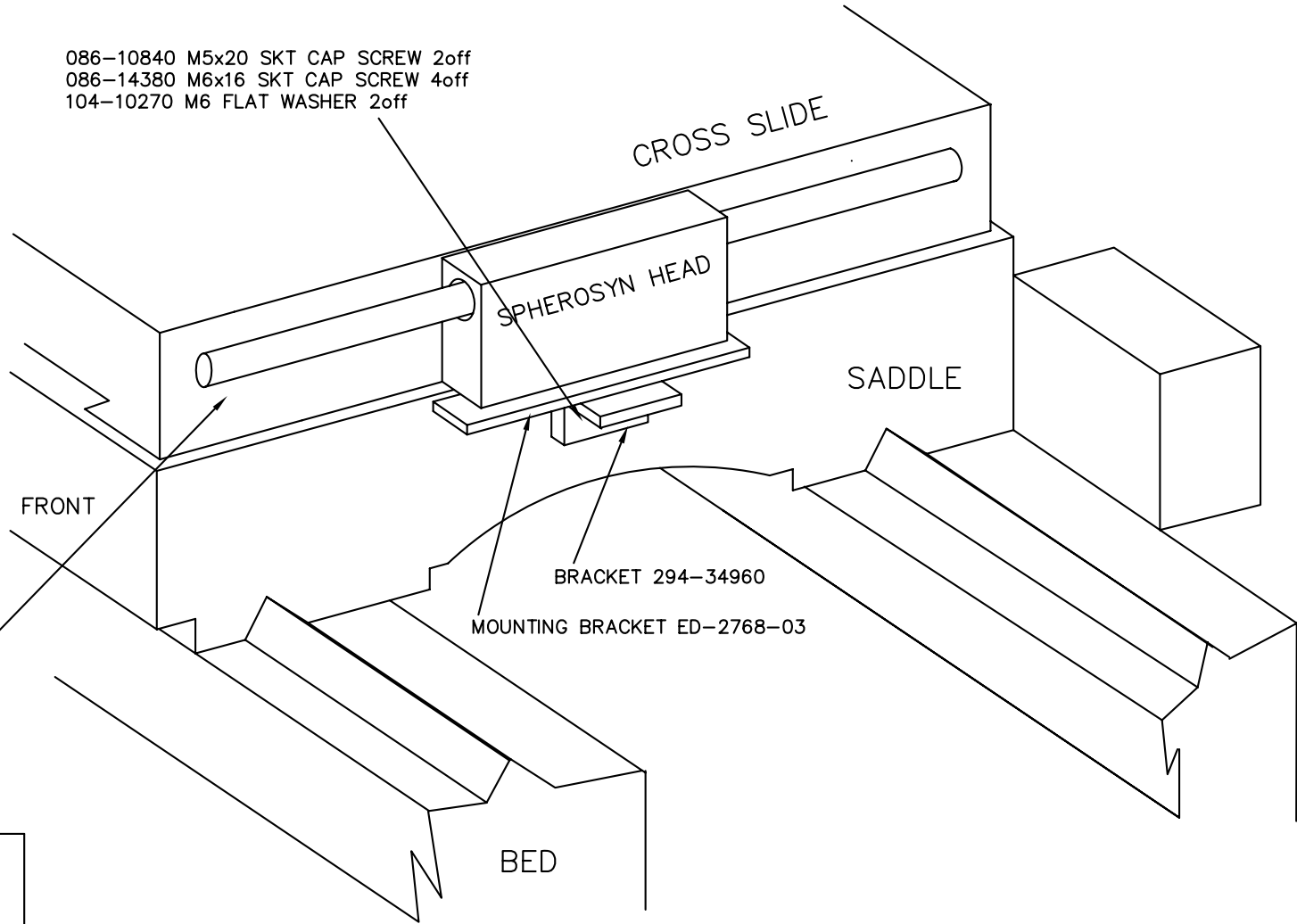
**600-61340**

Drawings  
316-22840  
316-21950

DRAWING NUMBER 316-22840 REV. ISS. 1

DO NOT SCALE -  THIRD ANGLE PROJECTION IF IN DOUBT ASK

086-10840 M5x20 SKT CAP SCREW 2off  
 086-14380 M6x16 SKT CAP SCREW 4off  
 104-10270 M6 FLAT WASHER 2off

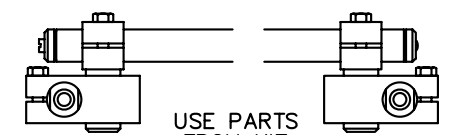
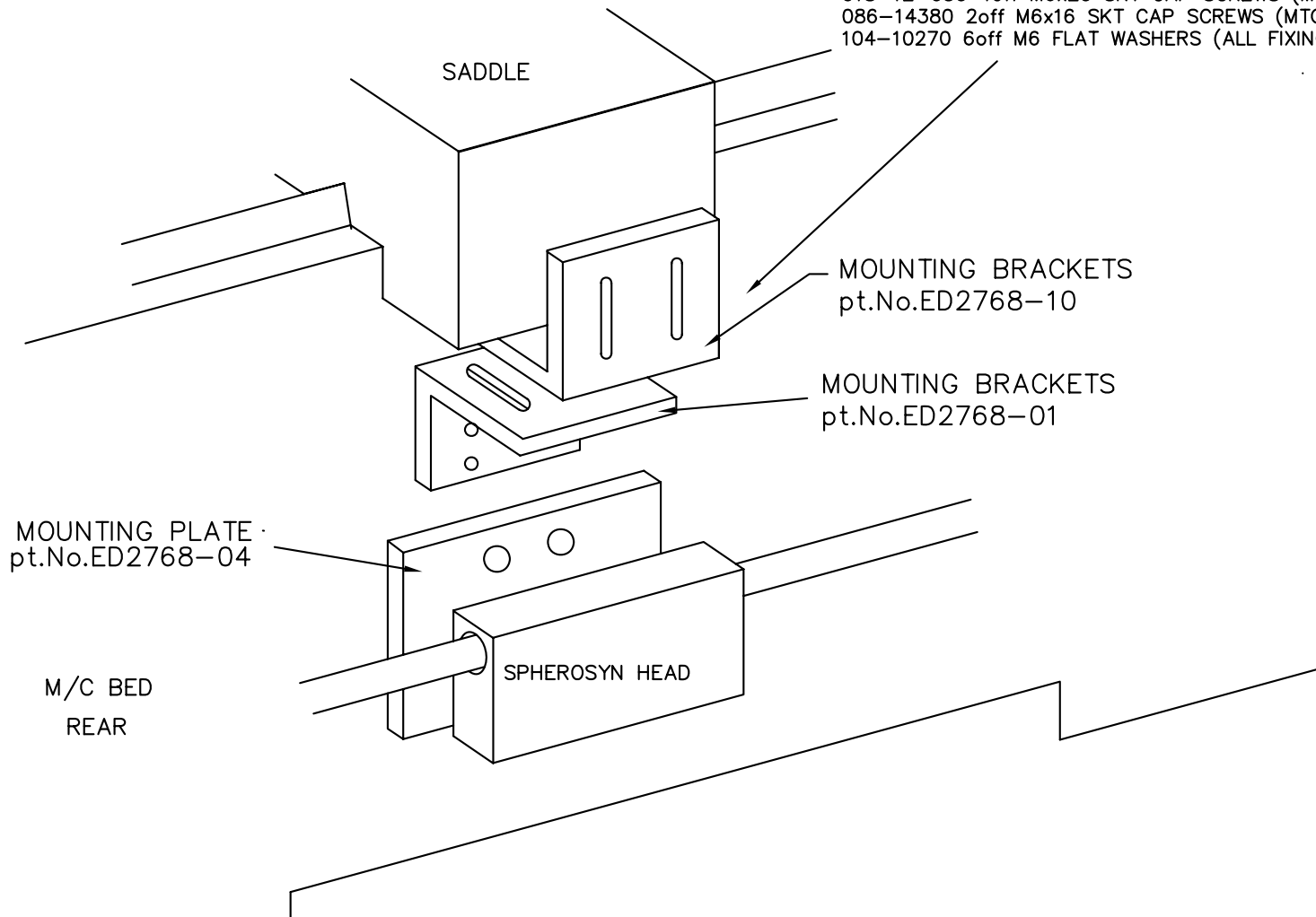


USE PARTS FROM KIT  
 Pt.No.600-66810

SCALE END MTG. DETAILS (BOTH ENDS)


				TITLE. LATHE M/C CROSS SLIDER AXIS ASSY. SPHEROSYN		MATERIAL/FINISH.		SCALE		UNLESS OTHERWISE STATED: - TOLERANCES: - 0 DECIMAL PLACES ±0.5 1 DECIMAL PLACE ±0.2 2 DECIMAL PLACES ±0.1 ANGULAR ±1'	
1	29-11-02	ECN8178	600-66810 WAS 600-42760	JFD	DRAWN J.DRIVER 24-5-96			SHEET OF		DRAWING NUMBER 316-22840 REV. ISS. 1	
REV. ISS.	DATE	C.N.	ALTERATION	CHECKED	APPROVED	Leicester England		THIS DRAWING IS THE PROPERTY OF NEWALL MEASUREMENT SYSTEMS LIMITED. THE INFORMATION THEREON MAY NOT BE COPIED OR USED WITHOUT WRITTEN PERMISSION			

- 086-14400 2off M5x30 SKT CAP SCREWS (HEAD FXG TO MTG PLATE)
- 018-12-030 4off M6x20 SKT CAP SCREWS (MTG BRKT TO M/C SADDLE & MTG BRKTS TOGETHER)
- 086-14380 2off M6x16 SKT CAP SCREWS (MTG BRKT TO MOUNTING PLATE)
- 104-10270 6off M6 FLAT WASHERS (ALL FIXINGS)



USE PARTS FROM KIT Pt.No.600-66810

SCALE END MTG. DETAILS

				TITLE. LATHE M/C BED AXIS ASSY. SPHEROSYN		MATERIAL/FINISH.		SCALE		UNLESS OTHERWISE STATED: - TOLERANCES: - 0 DECIMAL PLACES ±0.5 1 DECIMAL PLACE ±0.2 2 DECIMAL PLACES ±0.1 ANGULAR ±1'		
2	29-11-02	E8178	600-66810 was 600-42760	JFD					DIMENSIONS ARE IN M.M.			
1	18-3-98	E3036	ED-2768-01 1off NOW AND ADDED ED-2768-10	MM	DRAWN J.DRIVER	31/03/95			SHEET	DRAWING NUMBER	316-21950	REV. ISS. 2
REV.ISS.	DATE	C.N.	ALTERATION	CHECKED	APPROVED	Leicester  England		THIS DRAWING IS THE PROPERTY OF NEWALL MEASUREMENT SYSTEMS LIMITED. THE INFORMATION THEREON MAY NOT BE COPIED OR USED WITHOUT WRITTEN PERMISSION		OF		