

## Heavy Duty Lathe Kit

Spherosyn Cross / Spherosyn Bed Axis

---

**600-64960**

Drawings

316-22840

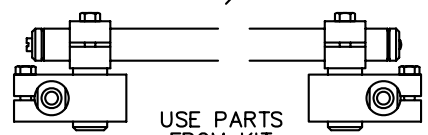
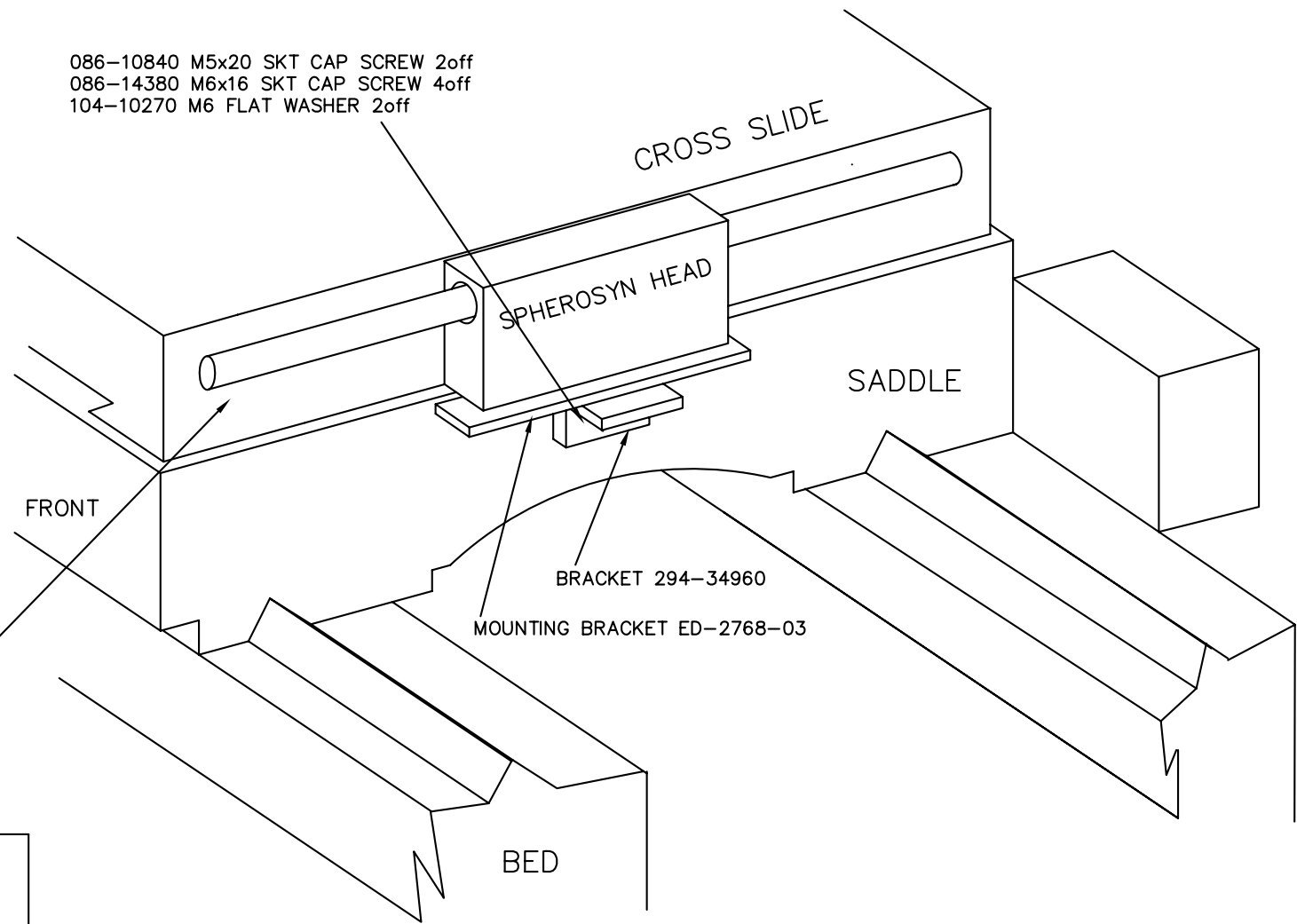
316-24240

316-22420

DRAWING NUMBER 316-22840 REV. ISS. 1


DO NOT SCALE -  - THIRD ANGLE PROJECTION IF IN DOUBT ASK

086-10840 M5x20 SKT CAP SCREW 2off  
 086-14380 M6x16 SKT CAP SCREW 4off  
 104-10270 M6 FLAT WASHER 2off

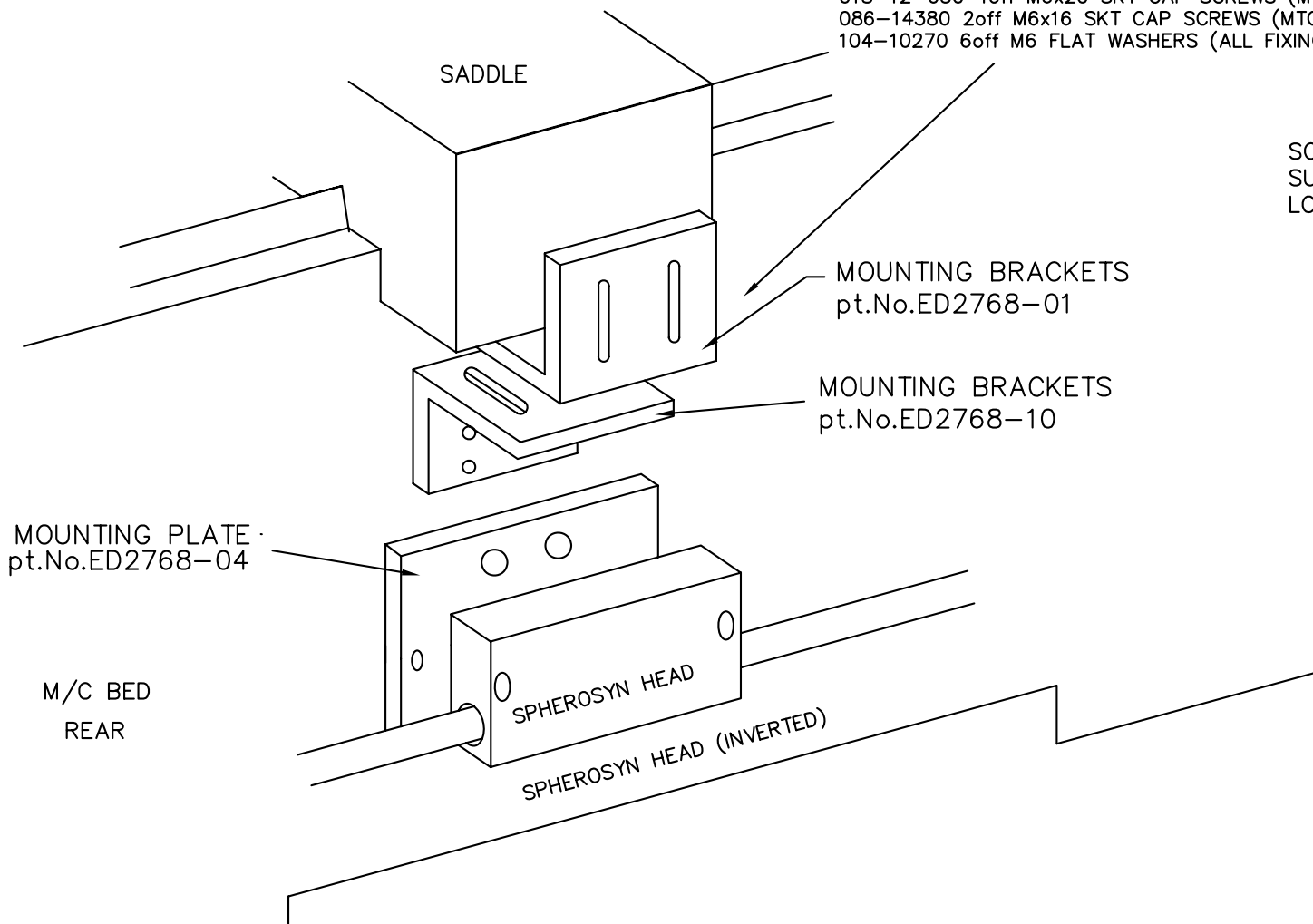


USE PARTS FROM KIT  
 Pt.No.600-66810

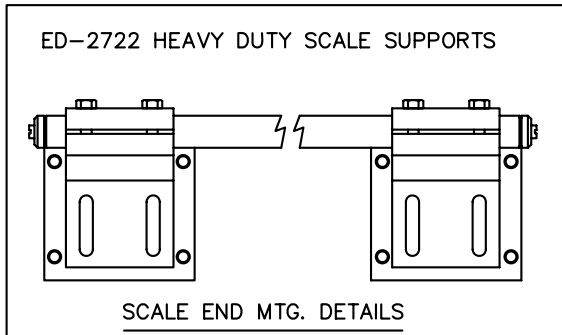
SCALE END MTG. DETAILS (BOTH ENDS)

				TITLE. LATHE M/C CROSS SLIDER AXIS ASSY. SPHEROSYN		MATERIAL/FINISH.		SCALE		UNLESS OTHERWISE STATED:- DIMENSIONS ARE IN M.M.		TOLERANCES:- 0 DECIMAL PLACES ±0.5 1 DECIMAL PLACE ±0.2 2 DECIMAL PLACES ±0.1 ANGULAR ±1°			
1	29-11-02	ECN8178	600-66810 WAS 600-42760	JFD	DRAWN J.DRIVER 24-5-96	 Leicester England		THIS DRAWING IS THE PROPERTY OF NEWALL MEASUREMENT SYSTEMS LIMITED. THE INFORMATION THEREON MAY NOT BE COPIED OR USED WITHOUT WRITTEN PERMISSION		SHEET OF		DRAWING NUMBER 316-22840		REV. ISS. 1	
REV.ISS.	DATE	C.N.	ALTERATION	CHECKED	APPROVED							DRAWING NUMBER		REV. ISS.	

086-14400 2off M5x30 SKT CAP SCREWS (HEAD FXG TO MTG PLATE)  
 018-12-030 4off M6x20 SKT CAP SCREWS (MTG BRKT TO M/C SADDLE & MTG BRKTS TOGETHER)  
 086-14380 2off M6x16 SKT CAP SCREWS (MTG BRKT TO MOUNTING PLATE)  
 104-10270 6off M6 FLAT WASHERS (ALL FIXINGS)



SCALE OVER 2.5MTR. TO BE SUPPORTED WITH "SPRIN LOADED SCALE SUPPORTS"

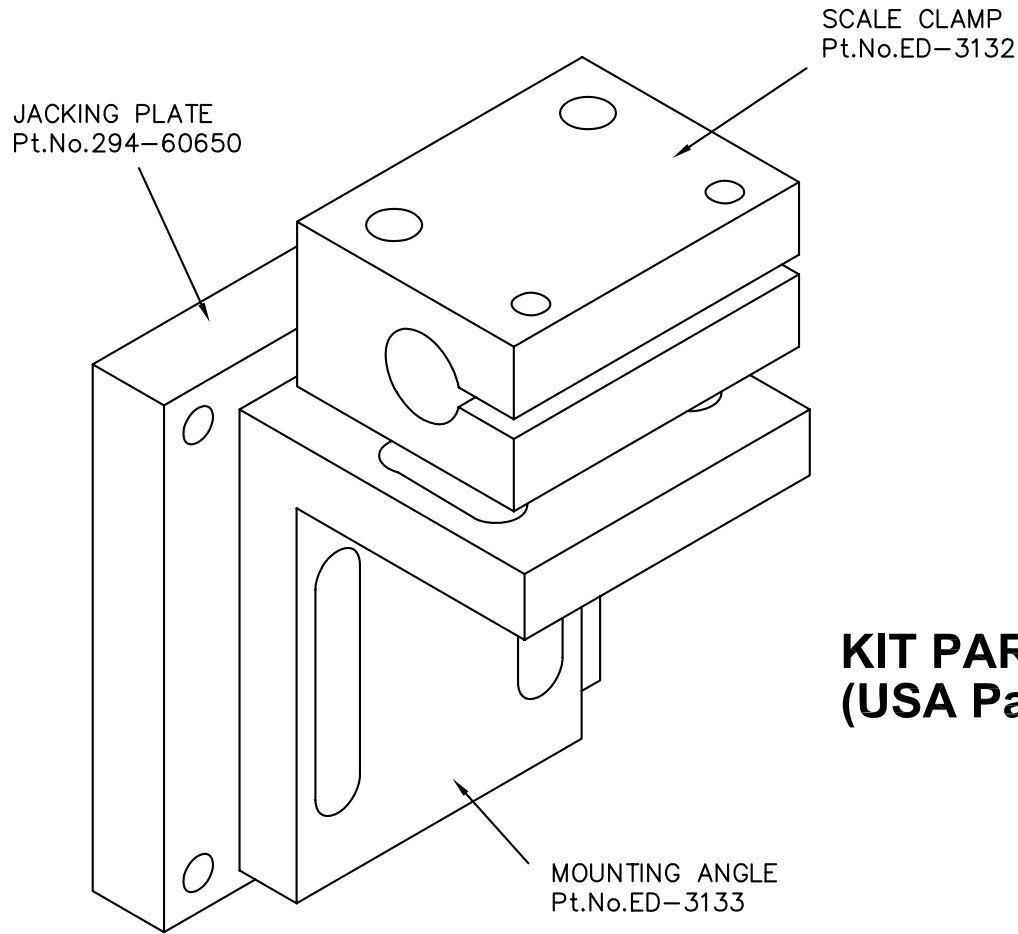


REV. ISS. DATE		C.N. No ALTERATION		TITLE: LATHE M/C BED AXIS ASSY. SPHEROSYN		MATERIAL/FINISH.		SCALE		UNLESS OTHERWISE STATED: -		TOLERANCES: - 0 DECIMAL PLACES ±0.5	
				DRAWN M. MISTRY 23-3-98		Leicester NEWALL England		SHEET OF		DRAWING NUMBER 316-24240		REV. ISS. 0	
				CHECKED						DIMENSIONS ARE IN M.M.		1 DECIMAL PLACE ±0.2	
				APPROVED						ANGULAR		2 DECIMAL PLACES ±0.1	
												±1'	

THIS DRAWING IS THE PROPERTY OF NEWALL MEASUREMENT SYSTEMS LIMITED. THE INFORMATION THEREIN MAY NOT BE COPIED OR USED WITHOUT WRITTEN PERMISSION.

DRAWING NUMBER 316-22420 REV. ISS. 3

DO NOT SCALE -  THIRD ANGLE PROJECTION IF IN DOUBT ASK



**KIT PART Nos. EP-2722 & EP-2722-D  
(USA Part Nos. FX00HDBR & FX0DHDBR)**

				TITLE.	MATERIAL.FINISH.	SCALE	UNLESS OTHERWISE STATED:-	TOLERANCES:-	0 DECIMAL PLACES ±0.5			
3	24-5-04	ECN8356	KIT PART NOS ADDED.	JFD	HEAVY DUTY BRKT. KIT MOUNTING	AS ABOVE		1 DECIMAL PLACE	±0.2			
2	30-5-01	ECN0656	JACKING PLATE Pt.No CHANGED	CW				2 DECIMAL PLACES	±0.1			
1	23-3-98	E3038	MOUNTING ANGLE 294-37710 REMOVED	MM			DIMENSIONS ARE IN M.M.	ANGULAR	±1°			
REV.ISS.	DATE	C.N.No.	ALTERATION	DRAWN	J.DRIVER	31-10-95	SHEET 10F1		DRAWING NUMBER	316-22420	REV. ISS.	3
				CHECKED			THIS DRAWING IS THE PROPERTY OF NEWALL MEASUREMENT SYSTEMS LIMITED. THE INFORMATION THEREON MAY NOT BE COPIED OR USED WITHOUT WRITTEN PERMISSION					
				APPROVED			Leicester		<b>NEWALL</b>	England		