

## Lathe Kit

Microsyn Single End Cross Slide Rear / Spherosyn Bed Axis

**600-65510**

Drawings

316-24590

316-24450

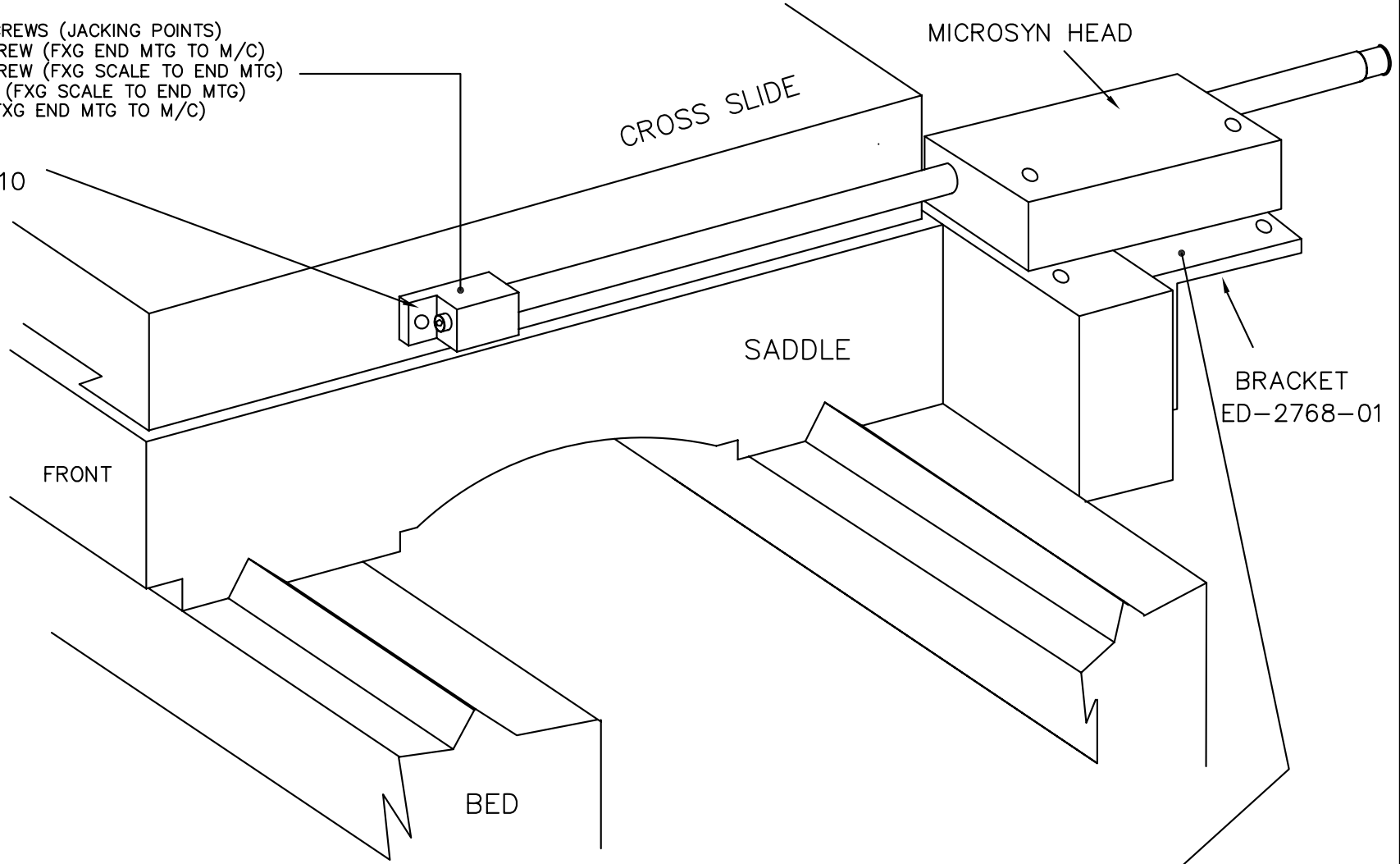
316-21950

DRAWING NUMBER 316-24590 REV. ISS. 1

DO NOT SCALE -  THIRD ANGLE PROJECTION IF IN DOUBT ASK

- 086-14030 4off M3x8 SKT GRUB SCREWS (JACKING POINTS)
- 086-14290 1off M5x16 SKT CAP SCREW (FXG END MTG TO M/C)
- 086-14870 1off M3x16 SKT CAP SCREW (FXG SCALE TO END MTG)
- 104-10070 1off M3 S/COIL WASHER (FXG SCALE TO END MTG)
- 104-10190 1off M5 FLAT WASHER (FXG END MTG TO M/C)

SINGLE END MOUNTING  
BRACKET Pt.No.294-39910  
(KIT 600-65340)



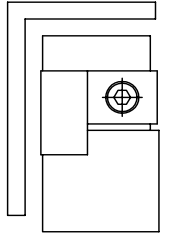
- 086-14380 2off M6x16 SKT CAP SCREWS (BRACKET TO MACHINE)
- 104-11120 2off M6 FLAT WASHER (BRACKET TO MACHINE)

				TITLE. LATHE M/C CROSS SLIDER AXIS ASSY. (MICROSYN MK2)		MATERIAL/FINISH.		SCALE		UNLESS OTHERWISE STATED: - TOLERANCES: - 0 DECIMAL PLACES ±0.5 1 DECIMAL PLACE ±0.2 2 DECIMAL PLACES ±0.1 ANGULAR ±1'			
1	13-8-04	ECN8398	SINGLE END MOUNT KIT No CHANGED	CW	DRAWN M.MISTRY	28/8/98			SHEET	DRAWING	316-24590	REV.	1
REV.ISS.	DATE	C.N.N	ALTERATION	CHECKED	APPROVED		Leicester England		OF	NUMBER		ISS.	

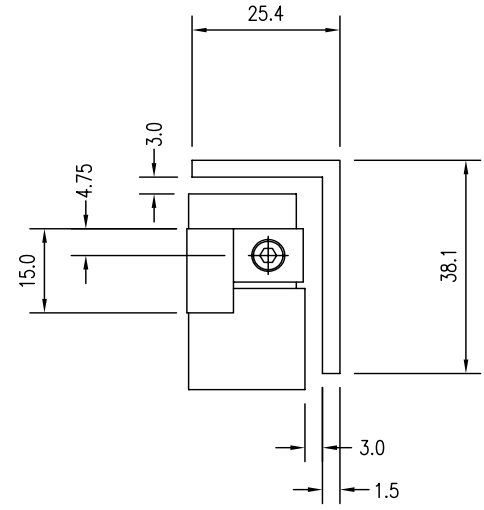
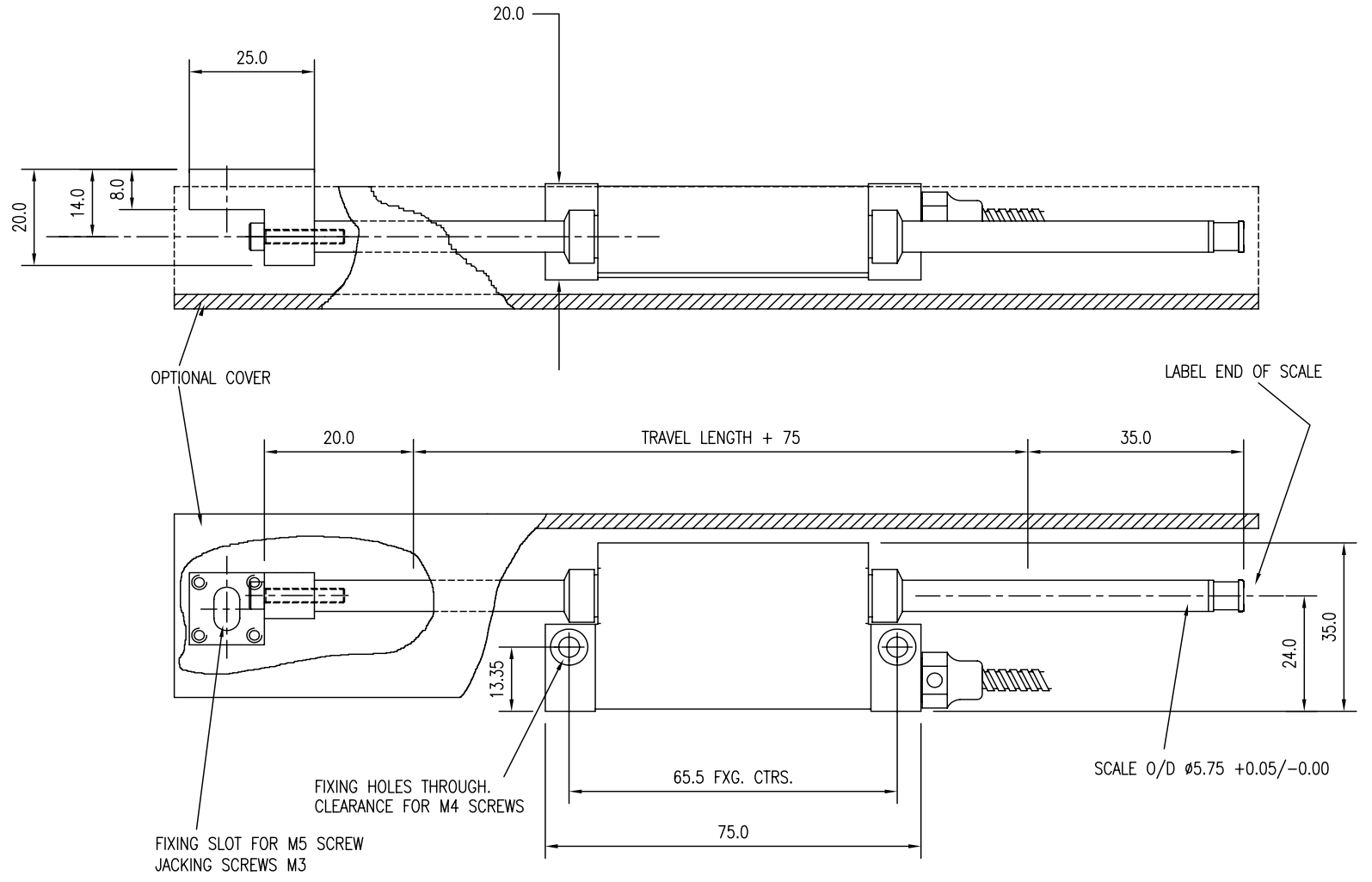
THIS DRAWING IS THE PROPERTY OF  
NEWALL MEASUREMENT SYSTEMS LIMITED.  
THE INFORMATION THEREON MAY NOT BE COPIED OR USED  
WITHOUT WRITTEN PERMISSION

DRAWING NUMBER 316-24450 REV. ISS. 1

DO NOT SCALE  THIRD ANGLE PROJECTION IF IN DOUBT ASK



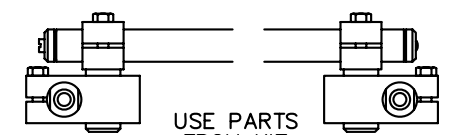
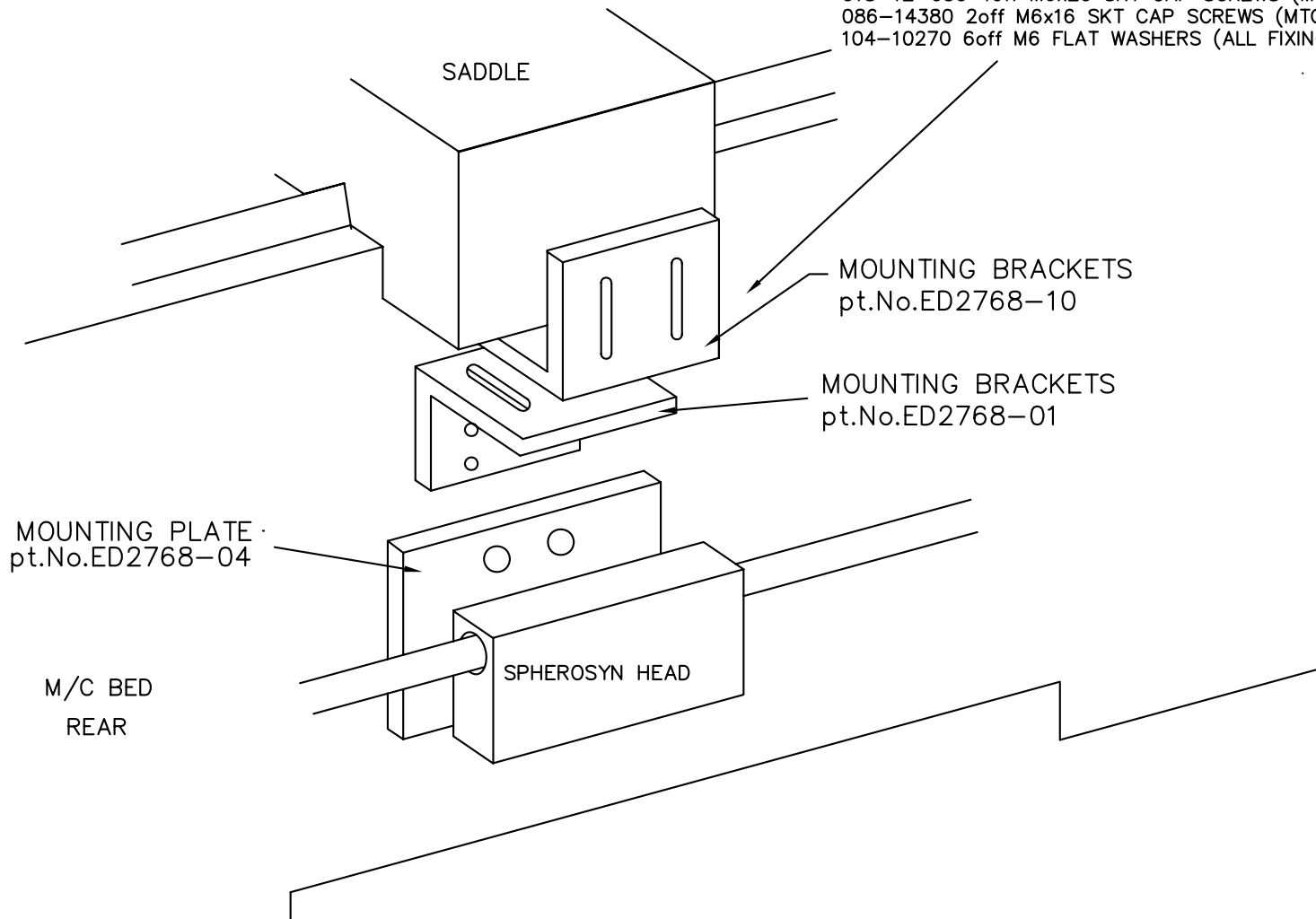
ALTERNATIVE COVER MOUNTING POSITION



NOTE:- MAXIMUM OVERALL SCALE LENGTH 250mm


				TITLE: <i>MICROSYN MK2 SCALE END MOUNTING</i>		MATERIAL/FINISH.		SCALE 1=1		UNLESS OTHERWISE STATED:- DIMENSIONS ARE IN M.M.		TOLERANCES:- 0 DECIMAL PLACES ±0.5 1 DECIMAL PLACE ±0.2 2 DECIMAL PLACES ±0.1 ANGULAR ±1°	
1	ECN8143	9-7-02	NEW LABEL ADDED	CW	DRAWN M.MISTRY	8/7/98	 <b>newall</b> England		SHEET 1 of 1		DRAWING NUMBER 316-24450	REV. ISS. 1	
REV. ISS.	DATE	C.N.No.	ALTERATION	CHECKED	APPROVED	Leicester		THIS DRAWING IS THE PROPERTY OF NEWALL MEASUREMENT SYSTEMS LIMITED. THE INFORMATION THEREON MAY NOT BE COPIED OR USED WITHOUT WRITTEN PERMISSION					

- 086-14400 2off M5x30 SKT CAP SCREWS (HEAD FXG TO MTG PLATE)
- 018-12-030 4off M6x20 SKT CAP SCREWS (MTG BRKT TO M/C SADDLE & MTG BRKTS TOGETHER)
- 086-14380 2off M6x16 SKT CAP SCREWS (MTG BRKT TO MOUNTING PLATE)
- 104-10270 6off M6 FLAT WASHERS (ALL FIXINGS)



USE PARTS FROM KIT  
Pt.No.600-66810

SCALE END MTG. DETAILS

				TITLE. LATHE M/C BED AXIS ASSY. SPHEROSYN		MATERIAL/FINISH.		SCALE		UNLESS OTHERWISE STATED: - TOLERANCES: - 0 DECIMAL PLACES ±0.5 1 DECIMAL PLACE ±0.2 2 DECIMAL PLACES ±0.1 ANGULAR ±1'	
2	29-11-02	E8178	600-66810 was 600-42760	JFD					DIMENSIONS ARE IN M.M.		
1	18-3-98	E3036	ED-2768-01 1off NOW AND ADDED ED-2768-10	MM	DRAWN J.DRIVER	31/03/95	SHEET OF		DRAWING NUMBER 316-21950		REV. ISS. 2
REV.ISS.	DATE	C.N.	ALTERATION	CHECKED	APPROVED	Leicester  England		THIS DRAWING IS THE PROPERTY OF NEWALL MEASUREMENT SYSTEMS LIMITED. THE INFORMATION THEREON MAY NOT BE COPIED OR USED WITHOUT WRITTEN PERMISSION			