

## Heavy Duty Lathe Kit

Microsyn Cross / Spherosyn Bed Axis

---

**600-81880**

Drawings

316-24600

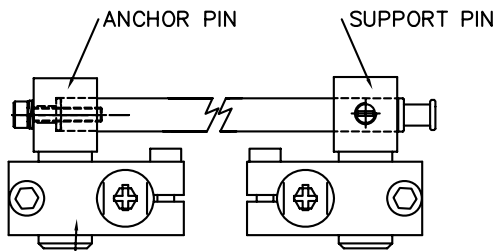
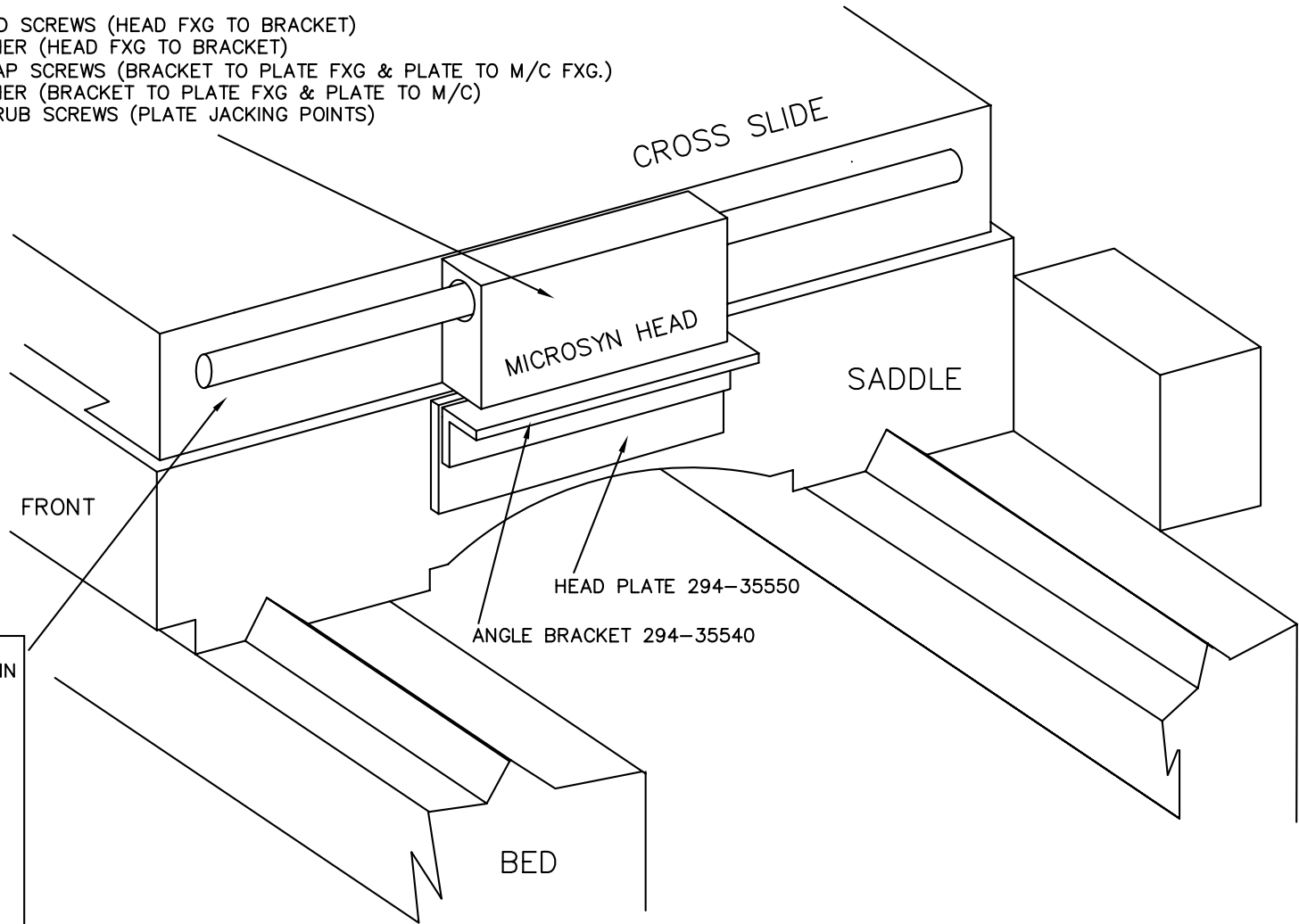
316-24240

316-22420

DRAWING NUMBER 316-24600 REV. ISS. 0

DO NOT SCALE -  THIRD ANGLE PROJECTION IF IN DOUBT ASK

- 086-14080 2off M4x10 CAP HD SCREWS (HEAD FXG TO BRACKET)
- 104-10110 2off M4 FLAT WASHER (HEAD FXG TO BRACKET)
- 086-14380 4off M6x16 SKT CAP SCREWS (BRACKET TO PLATE FXG & PLATE TO M/C FXG.)
- 104-11120 4off M6 FLAT WASHER (BRACKET TO PLATE FXG & PLATE TO M/C)
- 086-14390 4off M4x12 SKT GRUB SCREWS (PLATE JACKING POINTS)

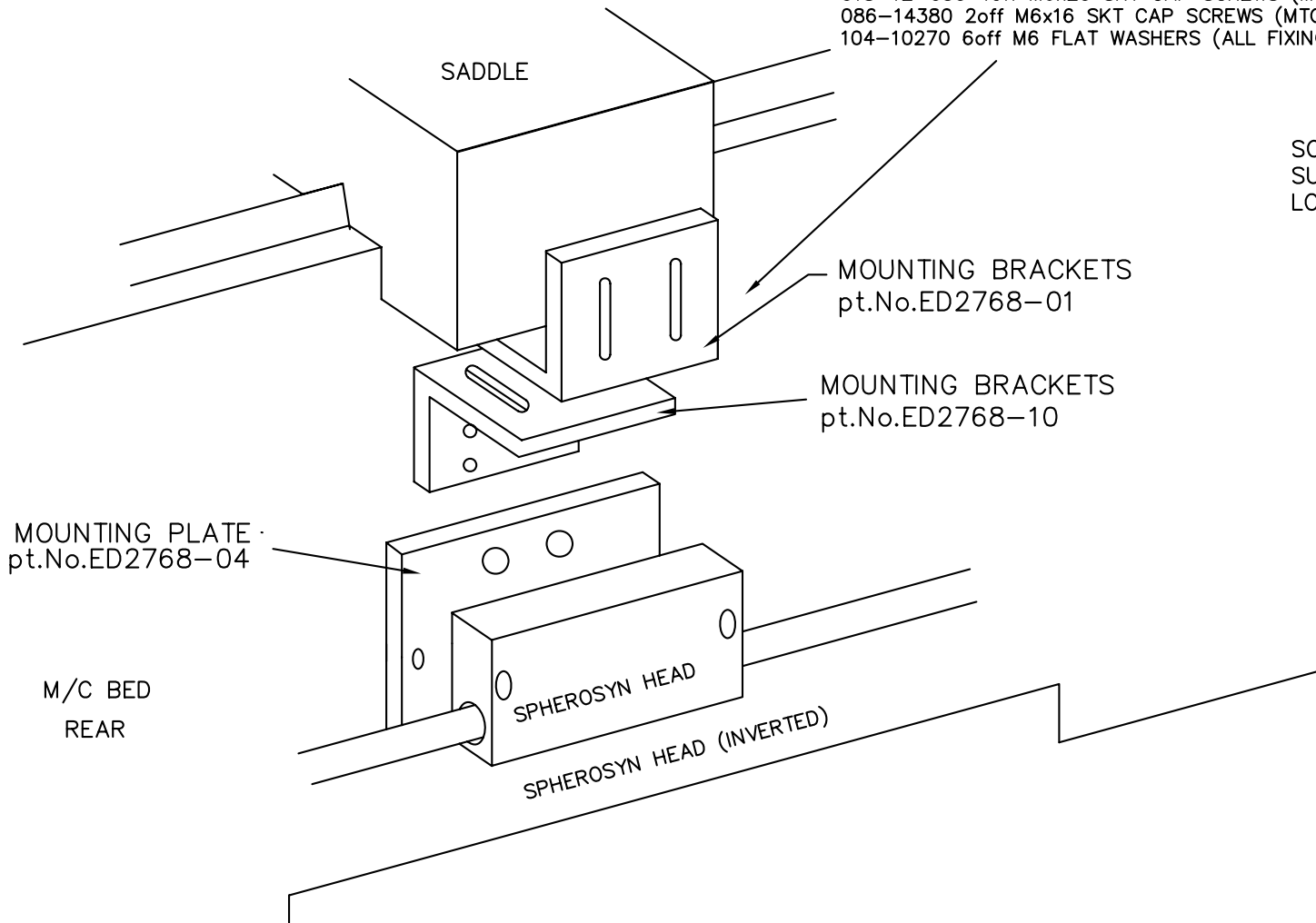


SUPPORT LINK  
USE PARTS  
FROM KIT  
Pt.No.600-65320

SCALE END MTG. DETAILS (BOTH ENDS)

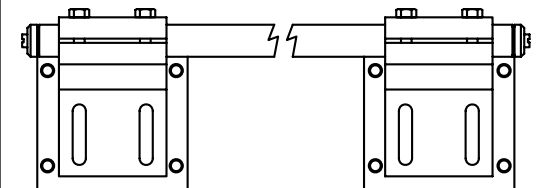
		TITLE. LATHE M/C CROSS SLIDER AXIS ASSY. MICROSYN MK2		MATERIAL/FINISH.		SCALE		UNLESS OTHERWISE STATED:- DIMENSIONS ARE IN M.M.		TOLERANCES:- 0 DECIMAL PLACES ±0.5 1 DECIMAL PLACE ±0.2 2 DECIMAL PLACES ±0.1 ANGULAR ±1'						
REV. ISS.	DATE	C.N.	NO.	ALTERATION	DRAWN	M.MISTRY	28/8/98	CHECKED		APPROVED		SHEET OF	DRAWING NUMBER	316-24600	REV. ISS.	0
					 Leicester England			<small>THIS DRAWING IS THE PROPERTY OF NEWALL MEASUREMENT SYSTEMS LIMITED. THE INFORMATION THEREON MAY NOT BE COPIED OR USED WITHOUT WRITTEN PERMISSION</small>								

- 086-14400 2off M5x30 SKT CAP SCREWS (HEAD FXG TO MTG PLATE)
- 018-12-030 4off M6x20 SKT CAP SCREWS (MTG BRKT TO M/C SADDLE & MTG BRKTS TOGETHER)
- 086-14380 2off M6x16 SKT CAP SCREWS (MTG BRKT TO MOUNTING PLATE)
- 104-10270 6off M6 FLAT WASHERS (ALL FIXINGS)



SCALE OVER 2.5MTR. TO BE SUPPORTED WITH "SPRIN LOADED SCALE SUPPORTS"

ED-2722 HEAVY DUTY SCALE SUPPORTS



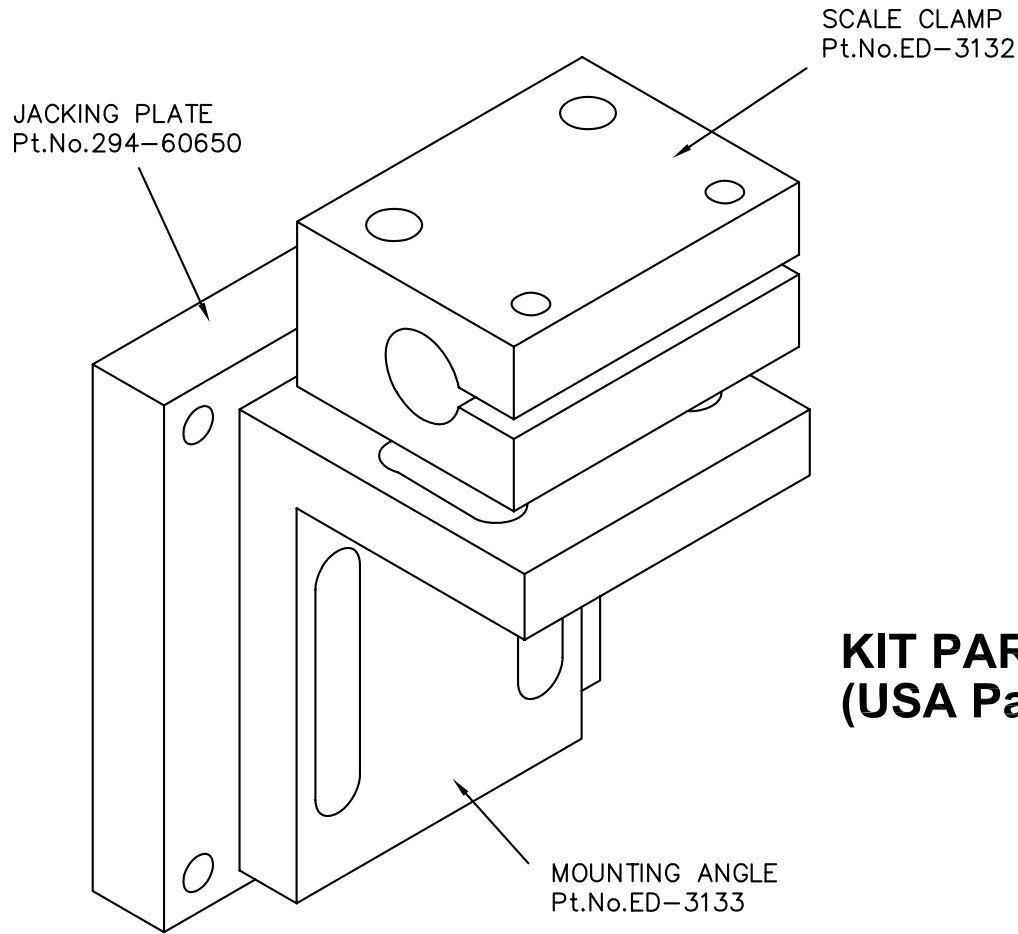
SCALE END MTG. DETAILS

REV. ISS.		DATE		C.N.		ALTERATION		TITLE: LATHE M/C BED AXIS ASSY. SPHEROSYN		MATERIAL/FINISH.		SCALE		UNLESS OTHERWISE STATED: - DIMENSIONS ARE IN M.M.		TOLERANCES: - 0 DECIMAL PLACES ±0.5 1 DECIMAL PLACE ±0.2 2 DECIMAL PLACES ±0.1 ANGULAR ±1'					
DRAWN		M. MISTRY		23-3-98		CHECKED		APPROVED		Leicester		NEWALL		England		SHEET OF		DRAWING NUMBER 316-24240		REV. ISS. 0	

THIS DRAWING IS THE PROPERTY OF NEWALL MEASUREMENT SYSTEMS LIMITED. THE INFORMATION THEREIN MAY NOT BE COPIED OR USED WITHOUT WRITTEN PERMISSION.

DRAWING NUMBER 316-22420 REV. ISS. 3

DO NOT SCALE -  THIRD ANGLE PROJECTION IF IN DOUBT ASK



**KIT PART Nos. EP-2722 & EP-2722-D  
(USA Part Nos. FX00HDBR & FX0DHDBR)**

				TITLE.	MATERIAL.FINISH.	SCALE	UNLESS OTHERWISE STATED:-	TOLERANCES:-	0 DECIMAL PLACES ±0.5
3	24-5-04	ECN8356	KIT PART NOS ADDED.	JFD	HEAVY DUTY BRKT. KIT MOUNTING	AS ABOVE		1 DECIMAL PLACE ±0.2	
2	30-5-01	ECN0656	JACKING PLATE Pt.No CHANGED	CW				2 DECIMAL PLACES ±0.1	
1	23-3-98	E3038	MOUNTING ANGLE 294-37710 REMOVED	MM			DIMENSIONS ARE IN M.M.	ANGULAR	±1°
REV.ISS.	DATE	C.N.No.	ALTERATION	DRAWN	J.DRIVER	31-10-95	THIS DRAWING IS THE PROPERTY OF NEWALL MEASUREMENT SYSTEMS LIMITED. THE INFORMATION THEREON MAY NOT BE COPIED OR USED WITHOUT WRITTEN PERMISSION		SHEET 10F1
				CHECKED			DRAWING NUMBER	316-22420	REV. ISS. 3
				APPROVED					

**NEWALL** England  
Leicester