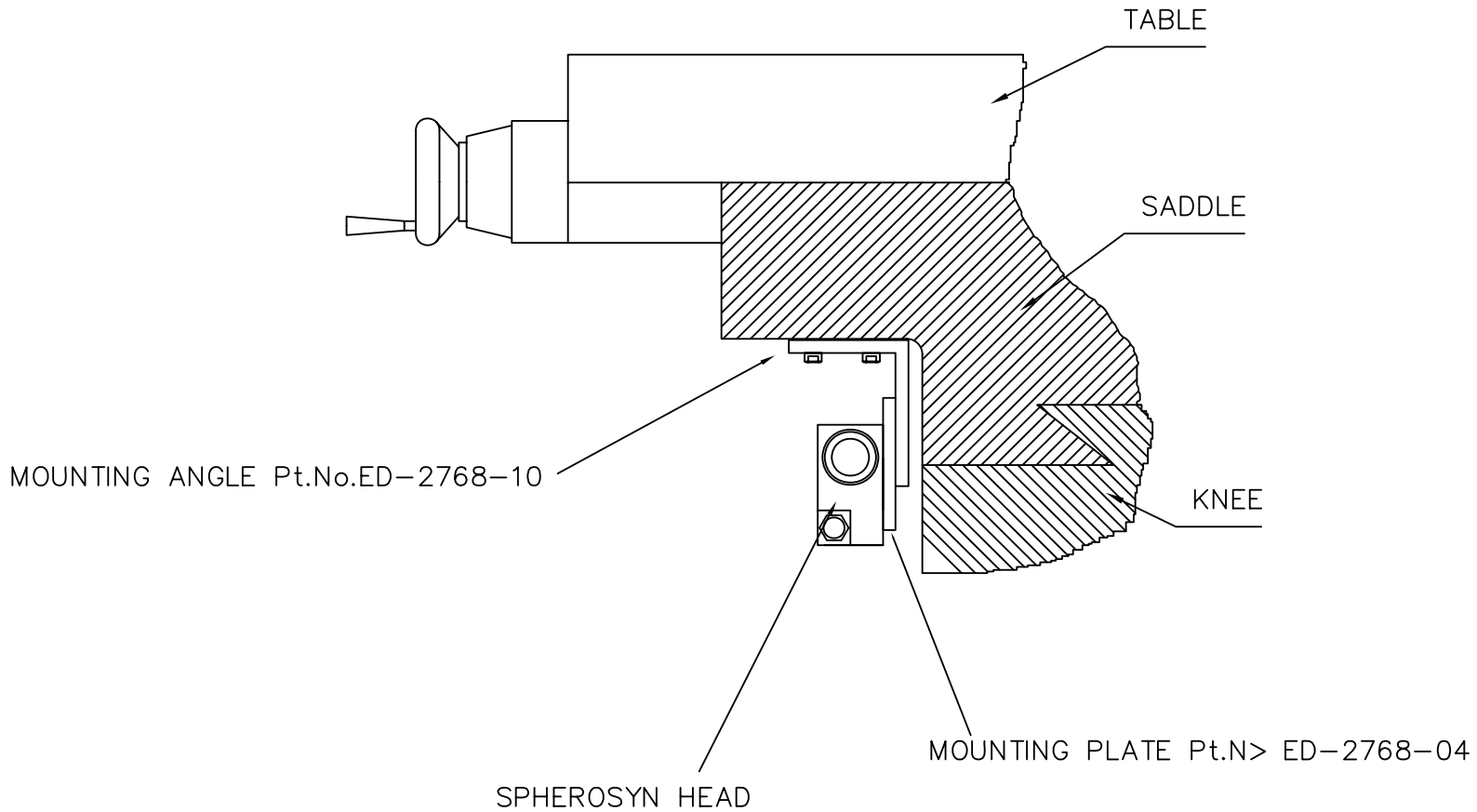


Mill Kit


Mill Bracket Kit 2 Axes (Spherosyn)

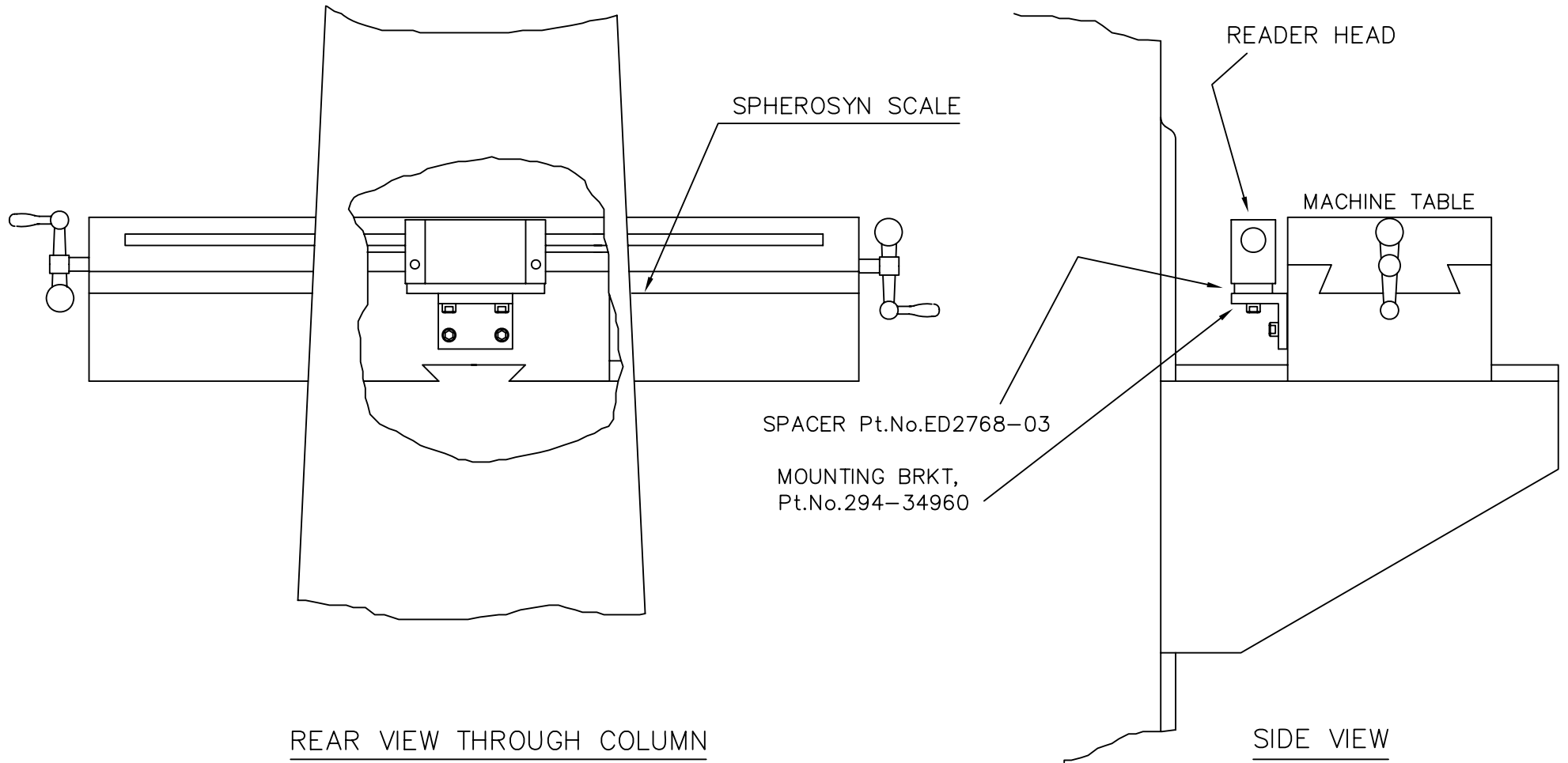
600-41230

Drawings
316-22880
316-21910



DISK 30


		TITLE. CROSS AXIS MILLING MACHINE (SPHEROSYN)		MATERIAL.		FINISH.		UNLESS OTHERWISE STATED:- TOLERANCES:- 0 DECIMAL PLACES ±0.5 1 DECIMAL PLACE ±0.2 2 DECIMAL PLACES ±0.1 ANGULAR ±1°	
		DRAWN J.DRIVER		SCALE		SHEET		DIMENSIONS ARE IN M.M.	
REV.ISS. DATE C.N.No. ALTERATION		CHECKED 4-6-96		APPROVED		OF		DRAWING NUMBER 316-22880	
				Leicester  England		THIS DRAWING IS THE PROPERTY OF NEWALL MEASUREMENT SYSTEMS LIMITED. THE INFORMATION THEREON MAY NOT BE COPIED OR USED WITHOUT WRITTEN PERMISSION		REV. ISS. 0	



REAR VIEW THROUGH COLUMN

SIDE VIEW

DISK 13

				TITLE. <u>TABLE AXIS</u>		MATERIAL FINISH.		SCALE		UNLESS OTHERWISE STATED:-		TOLERANCES:- 0 DECIMAL PLACES ±0.5			
				MILLING MACHINE (SPHEROSYN)								1 DECIMAL PLACE ±0.2			
										DIMENSIONS ARE IN M.M.		2 DECIMAL PLACES ±0.1			
												ANGULAR ±1°			
REV. ISS. DATE C.N.No. ALTERATION				DRAWN J.DRIVER 30-3-95		 <p>THIS DRAWING IS THE PROPERTY OF NEWALL MEASUREMENT SYSTEMS LIMITED. THE INFORMATION THEREON MAY NOT BE COPIED OR USED WITHOUT WRITTEN PERMISSION</p>		SHEET OF		DRAWING NUMBER 316-21910		REV. ISS. 0			
				CHECKED											
				APPROVED											

Leicester  **newall** England