

Mill Kit

Bridgeport Mill Kit 3 Axes (Spherosyn)

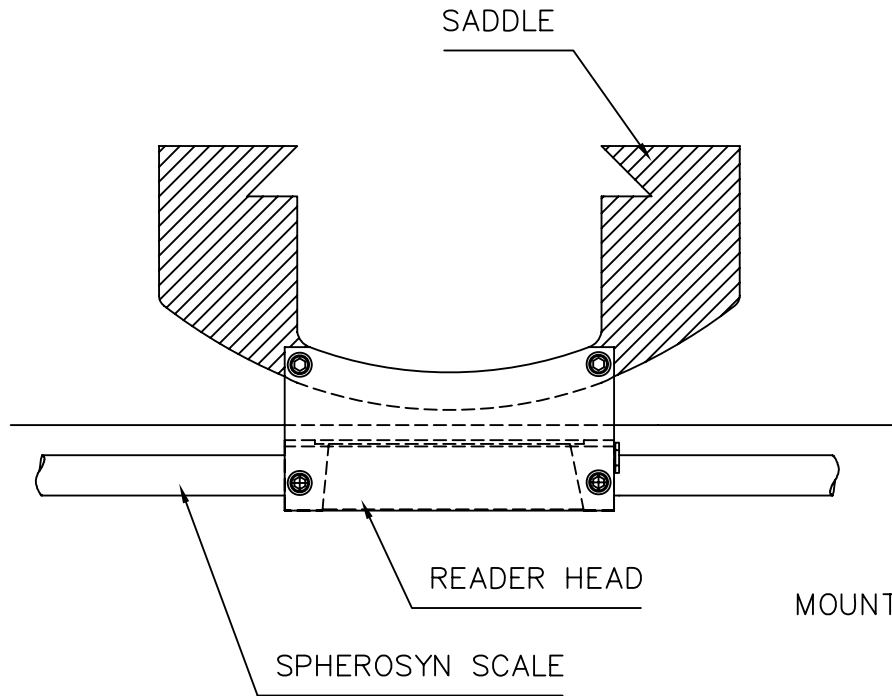
600-61420

Drawings

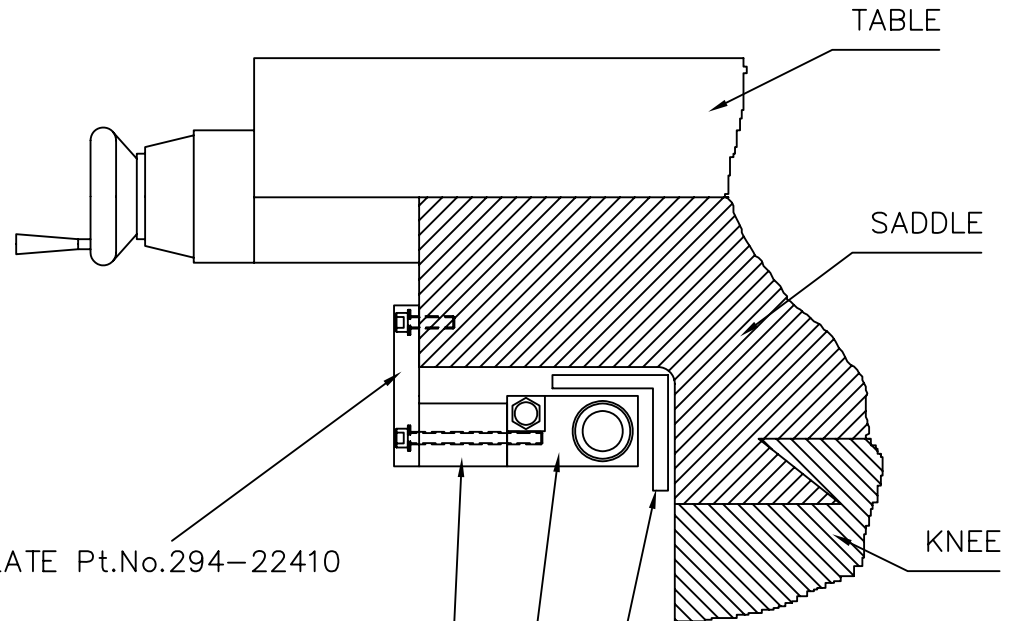
316-20740

316-20980

316-22870



SIDE VIEW



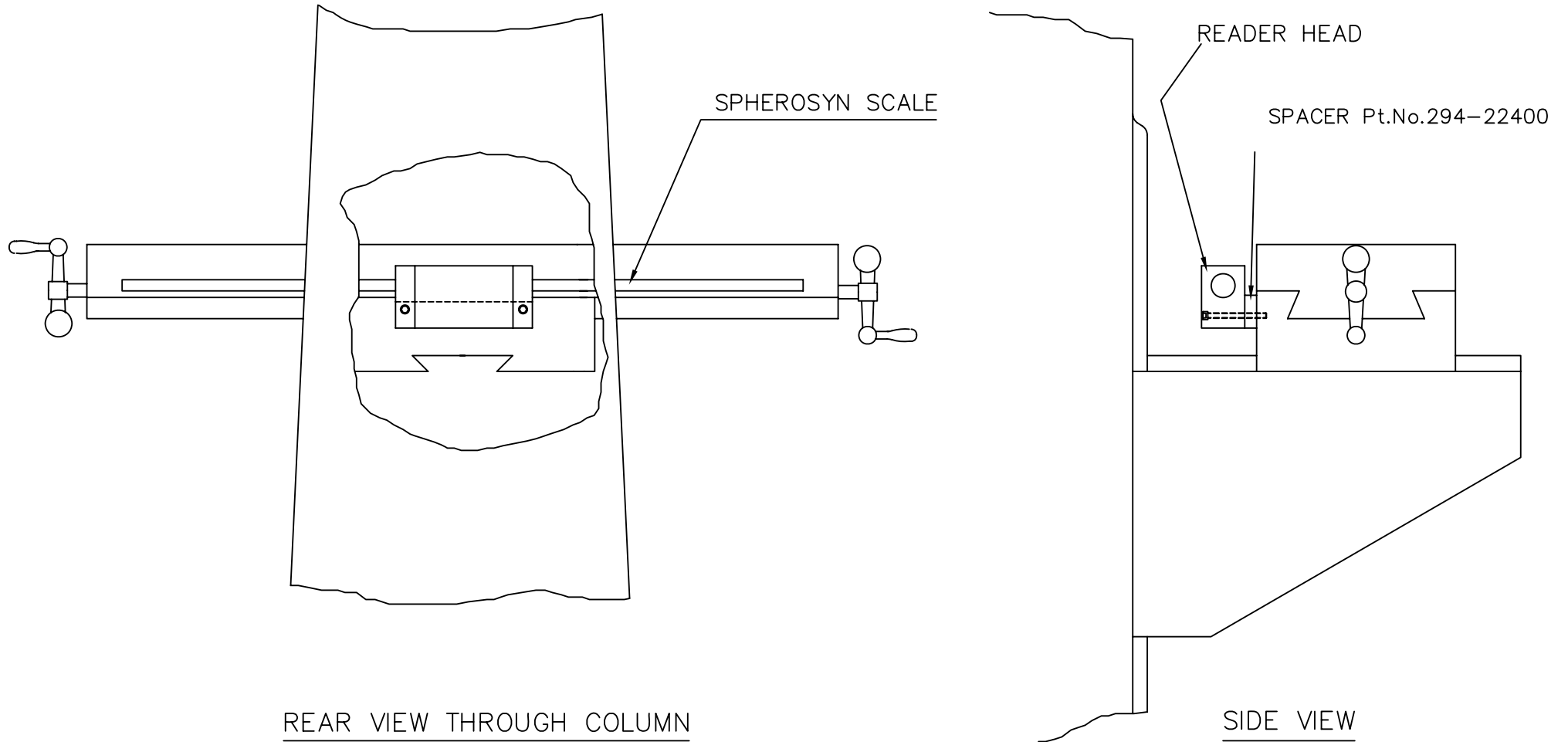
FRONT VIEW


MOUNTING PLATE Pt.No.294-22410
 MOUNTING BLOCK (USA) Pt.No.294-22420
 MOUNTING BLOCK (UK) Pt.No.294-22430

				TITLE CROSS AXIS BRIDGPORT INSTALLATION.		MATERIAL.		FINISH.		UNLESS OTHERWISE STATED:- TOLERANCES- 0 DECIMAL PLACES ±0.5 1 DECIMAL PLACE ±0.2 2 DECIMAL PLACES ±0.1 ANGULAR ±1°	
				DRAWN L.COATES		SCALE		THIS DRAWING IS THE PROPERTY OF NEWALL MEASUREMENT SYSTEMS LIMITED. THE INFORMATION THEREON MAY NOT BE COPIED OR USED WITHOUT WRITTEN PERMISSION		SHEET OF	
1	12-11-93	PART NUMBERS CHANGED.		JFD	CHECKED 03/09/92	Leicester		newall England		DRAWING NUMBER 316-20740	REV. ISS. 1
REV.ISS.	DATE	C.N.No.	ALTERATION	APPROVED							

DRAWING NUMBER 316-20980 REV. ISS. 1

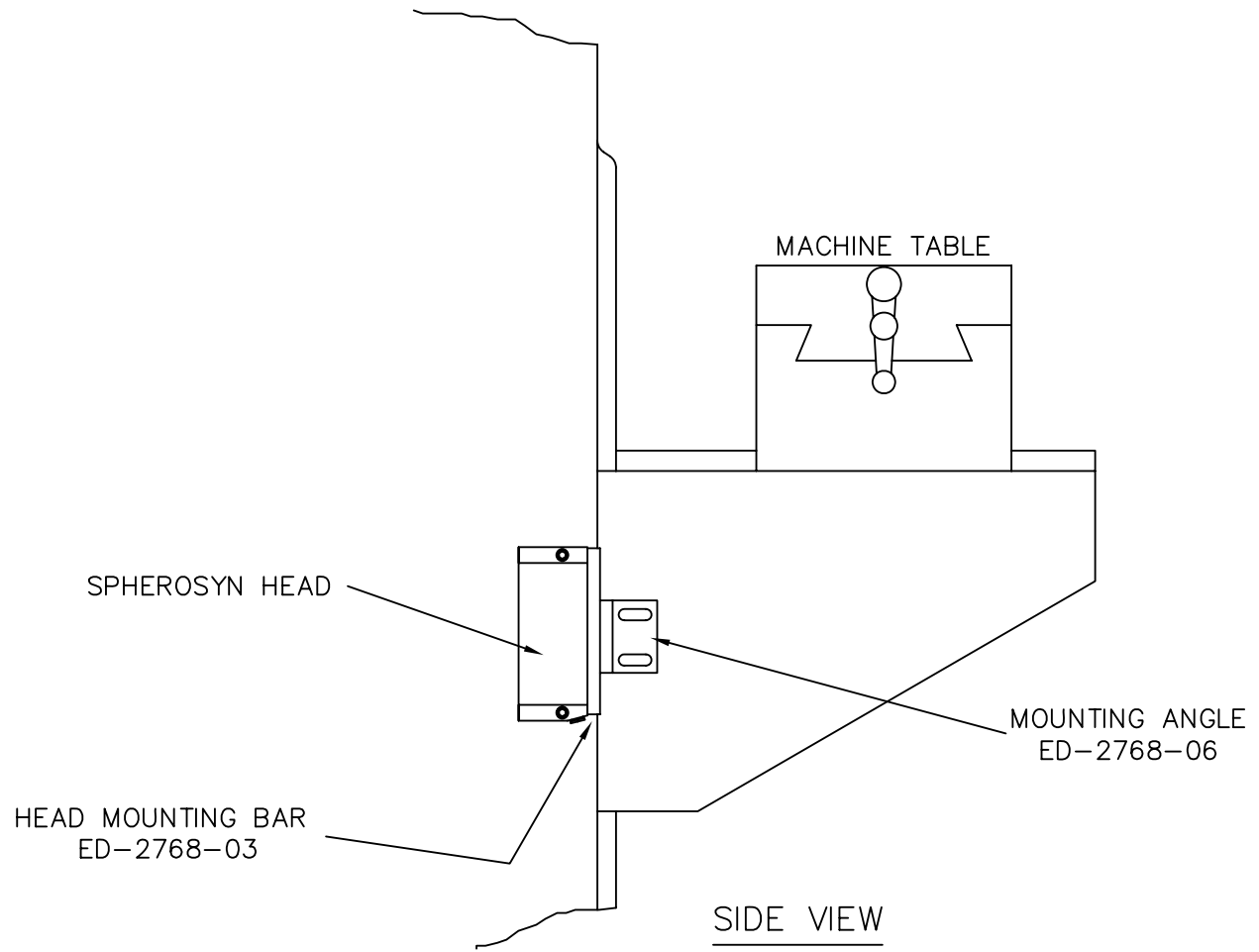
DO NOT SCALE -  THIRD ANGLE PROJECTION IF IN DOUBT ASK



				TITLE. TABLE AXIS BRIDGPORT INSTALLATION		MATERIAL/FINISH.		SCALE		UNLESS OTHERWISE STATED:- DIMENSIONS ARE IN M.M.		TOLERANCES:- 0 DECIMAL PLACES ±0.5 1 DECIMAL PLACE ±0.2 2 DECIMAL PLACES ±0.1 ANGULAR ±1°	
1	12-11-93	—	SPACER PT.NO CHANGED	JFD	DRAWN J.DRIVER	10-2-93			SHEET OF	DRAWING NUMBER	316-20980	REV. ISS.	1
REV.ISS.	DATE	C.N.No.	ALTERATION	CHECKED	APPROVED	Leicester							

DRAWING NUMBER 316-22870 REV. ISS. 0

DO NOT SCALE -  THIRD ANGLE PROJECTION IF IN DOUBT ASK



DISK 30

				TITLE. VERTICAL AXIS MILLING MACHINE (SPHEROSYN)		MATERIAL/FINISH.		SCALE		UNLESS OTHERWISE STATED:- DIMENSIONS ARE IN M.M.		TOLERANCES:- 0 DECIMAL PLACES ±0.5 1 DECIMAL PLACE ±0.2 2 DECIMAL PLACES ±0.1 ANGULAR ±1°	
				DRAWN J.DRIVER 4-6-96		 Leicester England		SHEET OF		DRAWING NUMBER 316-22870		REV. ISS. 0	
REV.ISS. DATE C.N.No. ALTERATION				CHECKED									
				APPROVED									

THIS DRAWING IS THE PROPERTY OF NEWALL MEASUREMENT SYSTEMS LIMITED. THE INFORMATION THEREON MAY NOT BE COPIED OR USED WITHOUT WRITTEN PERMISSION