

Mill Kit

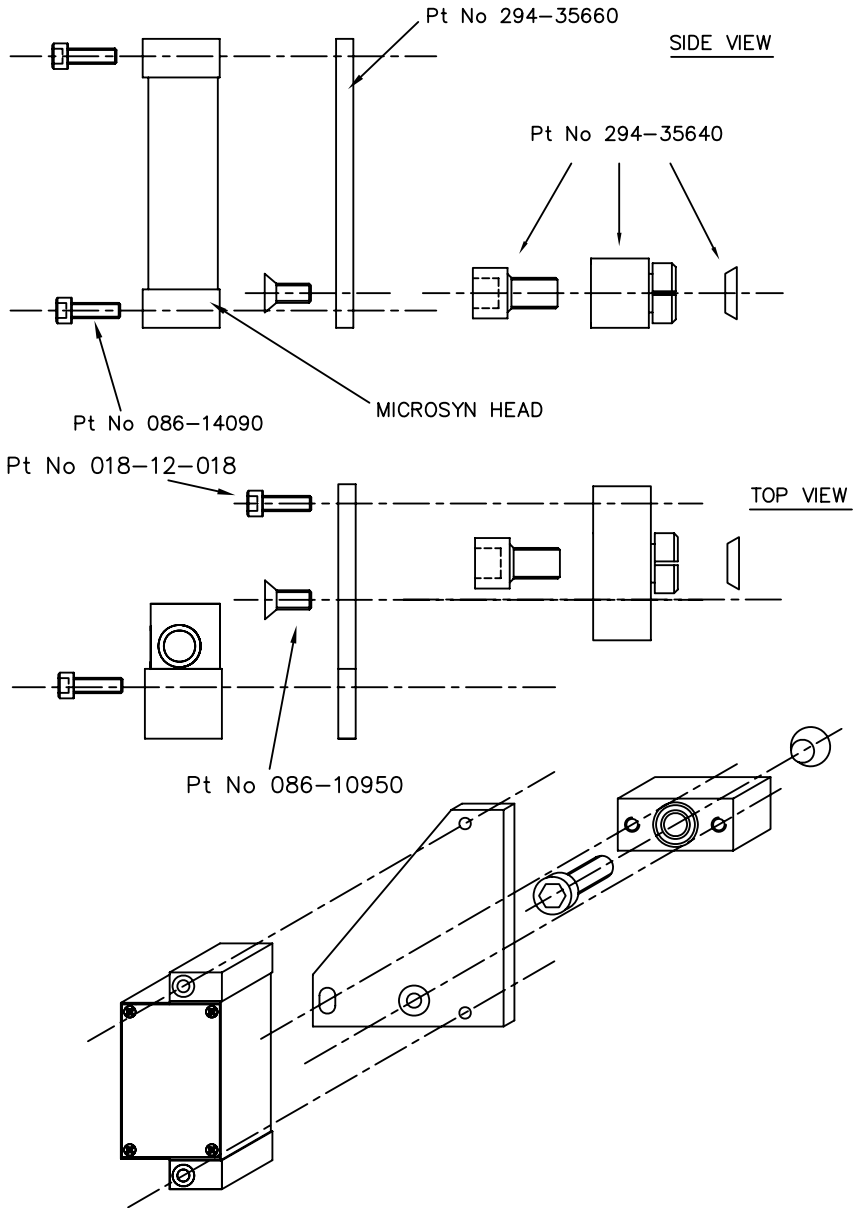
Microsyn Quill Kit

600-65480

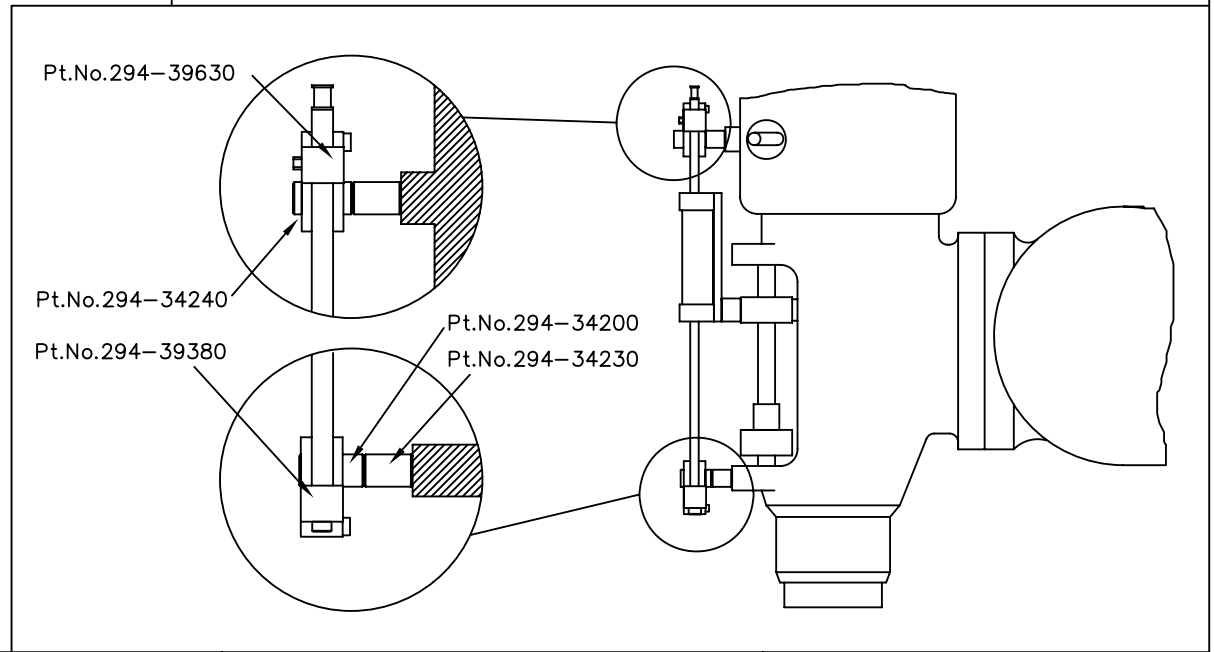
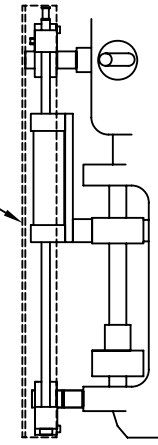
Drawings
316-24560

DRAWING NUMBER 316-24560 REV. ISS. 0

DO NOT SCALE -  THIRD ANGLE PROJECTION IF IN DOUBT ASK



CHANNEL Pt.No.294-36430
SUPPORTED ON SCALE
PILLARS AND LOCATED
OVER SCALE AND HEAD



				TITLE: ASSEMBLY DRAWING FOR MICROSYN MK2 QUILL INST KIT		MATERIAL FINISH: <hr/>		SCALE: NTS		UNLESS OTHERWISE STATED:- DIMENSIONS ARE IN M.M.		TOLERANCES:- 0 DECIMAL PLACES ±0.5 1 DECIMAL PLACE ±0.2 2 DECIMAL PLACES ±0.1 ANGULAR ±1°	
				DRAWN: M.MISTRY 28/8/98		 newall Leicester England		SHEET 1 of 1		DRAWING NUMBER 316-24560		REV. ISS. 0	
				CHECKED:									
				APPROVED:									
REV. ISS.	DATE	C.N.No.	ALTERATION										

THIS DRAWING IS THE PROPERTY OF NEWALL MEASUREMENT SYSTEMS LIMITED. THE INFORMATION THEREON MAY NOT BE COPIED OR USED WITHOUT WRITTEN PERMISSION