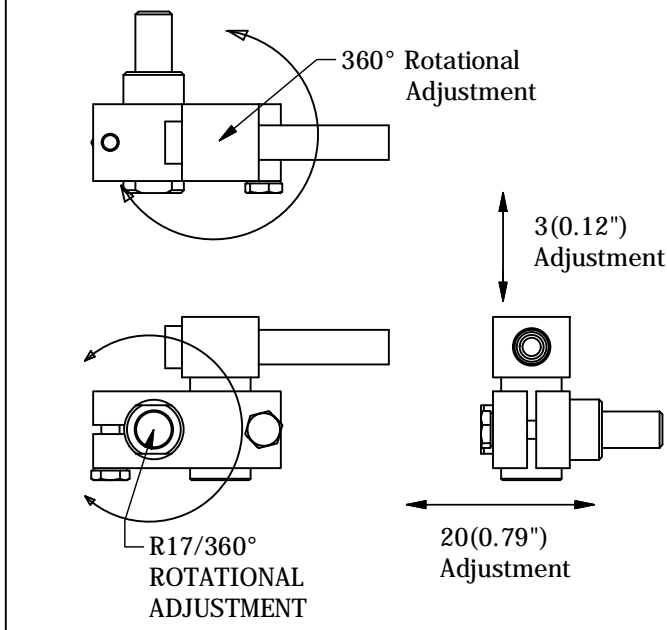
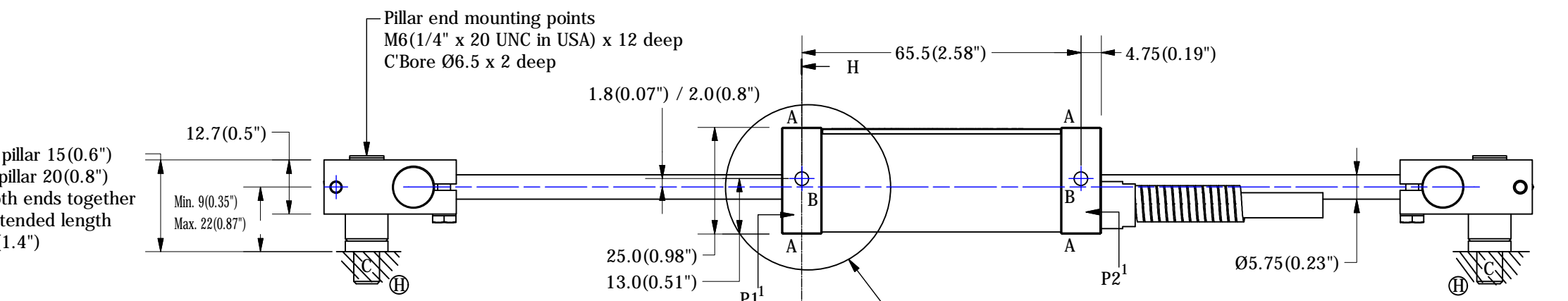
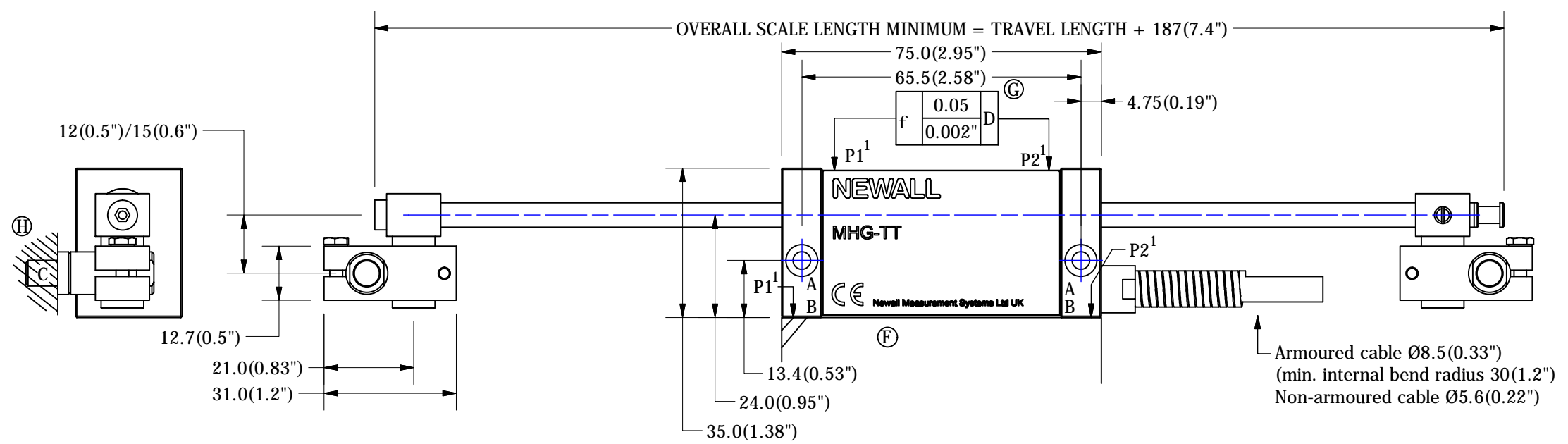
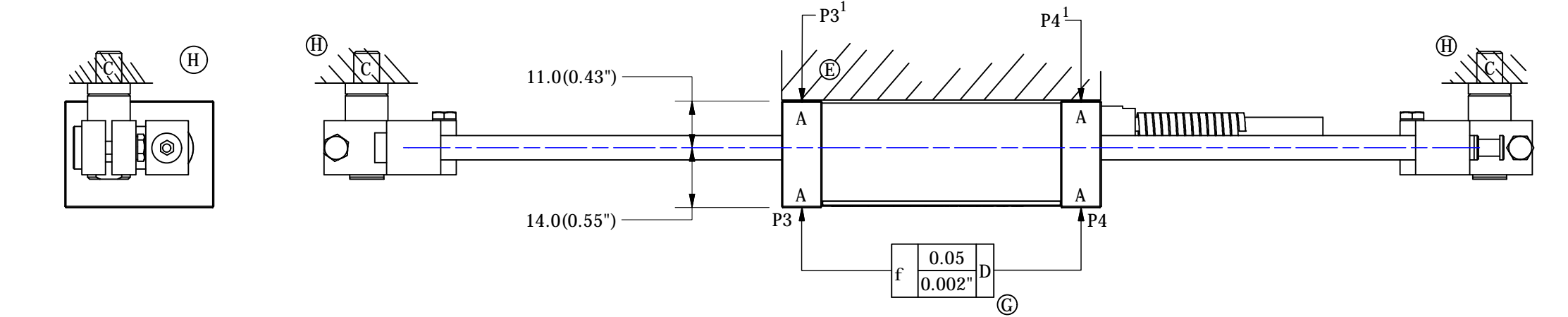


Optional Single End Scale Mounting Kit. Left and right hand versions available. Scale 0.6:1



SCALE MOUNTING BRACKET ADJUSTMENT Scale 0.8:1



Short pillar 15(0.6")  
Long pillar 20(0.8")  
Fix both ends together for extended length of 35(1.4")  
Min. 9(0.35")  
Max. 22(0.87")

- A - Encoder head mounting points 2off for M4(8-32UNC) cap head screws (clearance holes through)
- B - Encoder head mounting points 2off for M4 screws (thread depth 8)
- C - Scale pillar mounting studs M6 x 10 (1/4-20UNC in USA)-(use spacer washer as required)
- D - Machine Guideway
- E/F - Encoder head mounting faces
- G - Indicating parallel alignment required between encoder head and axis travel
- H - Scale end mounting points to machine bed
- P - Installation alignment points

**DIMENSIONS - mm(ins")**  
**FOR FURTHER INFORMATION REFER TO INSTALLATION MANUAL**

				<b>TITLE</b> MHG Series Linear Encoders		<b>MATERIAL/FINISH</b>		<b>SCALE</b> 1:1		UNLESS OTHERWISE STATED: - TOLERANCES: - 0 DECIMAL PLACES 0.5 1 DECIMAL PLACES 0.2 2 DECIMAL PLACES 0.1 ANGULAR 1°	
				DRAWN T.Hatherley		N		SHEET 1 OF 1		DRAWING NUMBER 316-85620	
REV. ISS. DATE C.N.No ALTERATION				DATE 09/03/2009		Leicester		England		ISS. 0	

THIS DRAWING IS THE PROPERTY OF NEWALL MEASUREMENT SYSTEMS LTD. THE INFORMATION THEREON MAY NOT BE COPIED OR USED WITHOUT WRITTEN PERMISSION